



BACKROOM
Window & Screen Repair



primeline.net

SCREENING ACCESSORIES



Window & Screen Repair

Screen Spline: The most common types of spline used on window screens are vinyl, hollow core, and serrated. The most popular colors are black and gray. Spline rolls are available from 25 ft. to 15 lb. rolls, with 250 ft. and 500 ft. rolls being the most popular. Foam spline is also used in the market place. The .270 sized foam spline is a good replacement for old style metal spline.

Glazing Retainer Spline: Glazing retainer spline is primarily used for window glass replacement and repair. They usually come in 200 ft. rolls and sizing will depend on if it's for a single or double glass application. Gray is the most common finish for this type of spline.

Aluminum Screen Frame: Screen frame comes in various colors and sizes. The more popular finishes are white, mill, and bronze. It also comes in various heights and widths with 5/16 in. and 7/16 in. being the most common width sizes and 3/4 in. the most common height. Other colors and sizes are available to meet the customer's needs.

Screen Frame Corners: Screen frame corners are used to hold the screen frame together. They come in both plastic and aluminum and are available in various colors to match the frame. This includes popular brands such as Andersen® and Pella®. Some corners cannot be seen as they fit right into the frame (miter cut) while others called plastic square cuts can be seen at the end of the frame (square cut).

Latches & Clips: Screen latches and clips are designed to help keep the screen in place while set in the window or screen door frame. They come in various materials such as plastic, aluminum and diecast. Use of a particular latch, clip or bolt depends on the type window. For example, storm windows use a specially designed clip to be held in place.

Tools: Screen rollers are used to push the spline and screening material into the screen frame and hold it in place. Shears are designed to smoothly cut aluminum, pet, fiberglass and solar screen material.

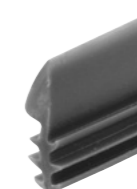


We offer a comprehensive program, encompassing all facets of screening and glazing of windows and doors.

Section Table of Contents

- | | |
|--|-------------------------------------|
| How To Use The Catalog | Rigid Vinyl |
| Backroom Fixtures | Rolling Tools |
| Corners | Screen Clips |
| Corner Keys | Screen Cloth |
| Glazing Channel & Spline | Screen Door Grilles |
| Hangers & Latches | Screen Frame |
| Lift Tabs | Slide Bolts |
| Plunger Latches | Storm Door Clips |
| Retainer Spline | Tilt Keys |

P 7516
Screen Spline



P 7795
Glazing Spline



PL 14071
Screen Frame



PL 7721
Frame Corner



PL 14569
Screen Clip



P 7629
Screen Rolling Tool



ZZ 75-21
©2022 Prime-Line



WELCOME TO THE PRIME-LINE PRODUCTS BACKROOM SCREENING PROGRAM!

Today's market is extremely competitive and Prime-Line's Backroom Program helps store owners drive store traffic, sales transactions and build customer relationships based on great service.

Our program offers:

- Attractive ROI - Low investment / high profit
- Optimizes your selling floor / backroom by using a minimum of space
- Easy to use training options:
 - On-site training*
 - Easy to learn videos
 - Industry trade show demonstrations

We know great service is what keeps customers, and attracts new ones. Let us partner with you and show you how our Backroom program can add value to your business and help you keep your competitive edge.

Contact us at: 800-255-3505, or visit us at primeline.net for more information. We look forward to hearing from you!

*For an additional fee



WHO WE ARE

Prime-Line Products has been supplying repair and replacement parts for windows and doors since 1978. Over 40 years of business acumen has led Prime-Line to the top of its trade. The worldwide need for residential maintenance has motivated our company to develop thousands of unique items for our customers. We service the professional trades with repair solutions throughout North America and abroad.

We also provide products to the Do-It-Yourself industry through home centers, hardware stores and lumber yards, with a wide variety of specialized repair parts that fit various individual and regional demands. We currently supply many manufacturers with OEM components that are in wide demand.

OUR VALUE PROPOSITION

- Extensive product assortment
- Competitive wholesale pricing
- Largest selection of current and hard-to-find hardware
- In stock, ready to ship inventory
- Nationwide coverage
- Outstanding customer service
- Personalized account management
- State of the art ordering systems

CUSTOMER SERVICE

Prime-Line's in-house expert Customer Service team is here to help you every step of the way. Available from 6 A.M. to 5 P.M. PST every weekday, you'll get all the answers you need along with a smooth order experience.

Just call 1-800-255-3505 or email customerservice@primeline.net and we'll be happy to help!



Get the most out of your interactive catalog



Qty: 1 set per bag, 10 bags per pack.

Fiberglass cloth, plastic rolling tool, vinyl spline.

	Size	Spline size
P 7511	36 in. x 84 in.	.180
P 7541	48 in. x 84 in.	.180
P 7515	36 in. x 84 in.	.155

Clickable hyperlink launches internet browser, opening a new web page that redirects to the product page on the Prime-Line website.

Toggle between photo and dimensioned line drawing of product.

Additional product specifications.

Embedded installation instructional video.*

P 7511 - Screen Door Repair Kit, Charcoal Fiberglass, with spline and tool. 10 kits per box.

DESCRIPTION
This item is a Fiberglass Screen Repair Kit for replacing damaged screen fabric in Window Screens and Screen Doors. Each Kit contains one (1) piece of Charcoal Fiberglass Screen 36" x 84"; 30' of .180" Black Vinyl Spline and a Screen Rolling Tool. This kit will typically allow the repair of one (1) Screen Door or two (2) Window Screens. 10 Kits per box. Additional sizes available.

- Screen Repair Kit
- 1 piece of fiberglass screen material 36 inches x 84 inches
- Includes Rolling Tool and 30 feet of .180 diameter spline
- Color is Charcoal
- Replace damaged product
- Enough fabric to rescreen one (1) 36 inch wide screen door or two (2) average sized window screens
- Instructions included
- 10 Kits per carton
- P 7510, P 7540, P 7511, P 7541, P 7515, P 7542, P 8070, P 8071, P 8072

Specifications

Brand:	Make-2-Fit
Width:	36"
Reach:	84"
Spline Size Range:	0.18

How-To Video English Embed:

PRIME-LINE
26950 San Bernardino Ave Redlands, CA 92374
800.255.3505

PRODUCT CATEGORIES | WHERE TO BUY | CATALOGS | HOW-TOS | ABOUT PRIME-LINE | PRODUCT RECALLS | SAFETY DATA SHEETS | CA PROPOSITION 65 | PRIVACY POLICY | CONTACT US | CAREERS | WARRANTY | SITEMAP

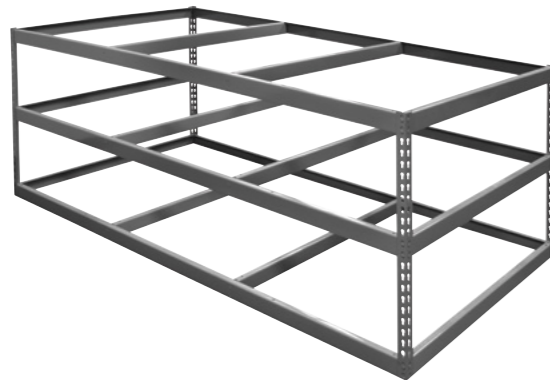
PRIME-LINE Products 2020. All Rights Reserved. Websites created and marketed by Single Throw Marketing.

Descriptive title.

In depth product description.

Additional bullet points.

*Product page may not have this feature.



Screen Table Kit

Qty: 1, with fasteners.

Boltless metal framing, adjustable shelving, 36 in. working height, designed for 3/4 in. plywood (not included).

P 8060-G (48 in. x 96 in.)



Screen Table Tower Kit

Qty: 1, with fasteners.

Accessory item for the screen table, stores most commonly used screening material, painted steel uprights and top brace, supplied with (8) eye bolts and end caps to accommodate 3/4 in. electrical conduit.

P 8076-G



Screen Table Top Carpeting

Qty: 1 roll

Protects window and screen frames from scratches, tough indoor/outdoor felt carpet, 72 in. x 108 in., overlaps top and is fastened to underside of table top.

P 8099 (Gray)

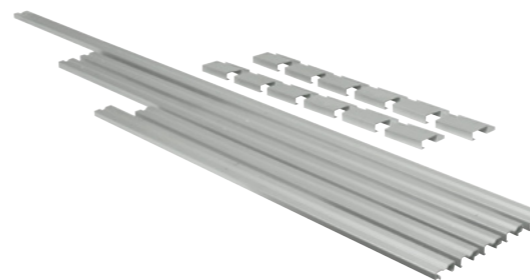


Portable Chop-Saw Table Kit

Qty: 1, with fasteners.

CHOP SAW NOT INCLUDED, steel frame, caster wheels with locking feature, built-in adjustable measuring device that allows for extended length measuring, 40-1/2 in. tall, 15-15/16 in. deep and the arms extend up to 107-3/4 in.

P 8077



Screen Table Jig

Qty: 1 set, with fasteners.

2 bars drilled for attachment to table, 3 free moving bars, 12 aluminum screen frame clips (for 3/4 in. frame), allows the screen frame to be held firmly & squarely in place while installing screen fabric.

P 7924



Screen Table Jig Clips

Qty: 4 clips

Used to secure screen frame squarely to the screen jig and allows for accurate installation of screen fabric.

P 7932 (3/4 in. clips)

P 7933 (1 in. clips)



E-Z Slide Cut-Off Gauge Replacement Tape

Qty: 1

Measuring tape for cut-off gauge, starts at zero and increases to 144 inches, self-adhesive.

P 7927 (Right hand stop replacement tape)

P 7928 (Left hand stop replacement tape)



Parts Bin Box

Qty: 5

4-1/2 in. wide x 6 in. high x 12 in. deep, cardboard, white.

P 8143



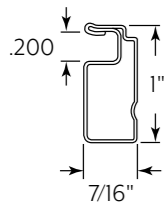
Screen Warning Label

Qty: 100

1/2 in. high x 4.5 in. wide, self adhesive.

P 8081

1 in. x 7/16 in.



Screen Frame

Qty: 36 pieces per carton.

1 in. x 7/16 in. x 12 ft. 2 in., .025 gauge, use spline size .225 for aluminum mesh or .235 for fiberglass mesh.

PL 16762 (Mill) **PL 16764** (White) **PL 16776** (Adobe)

PL 16763 (Bronze) **PL 16765** (Almond)



Corner

Qty: 500 per box.

Aluminum, miter cut, for 1 in. frame, .050 gauge.

PL 16766 (Mill)



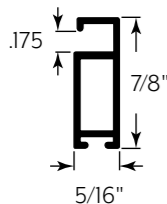
Corner

Qty: 20 per tub.

Plastic, square cut, for 1 in. x 7/16 in. frame, fits Kolbe® Window Screens only.

PL 14939 (White)

7/8 in. x 5/16 in.



Screen Frame

Qty: 10 pieces per carton.

Extruded, 7/8 in. x 5/16 in., .038 gauge, use foam spline size .190, use 3/16 in. wide pile weatherstrip.

PL 15974 (Mill)

PL 15976 (White)



Corner

Qty: 20 per tub.

Aluminum, miter cut, for 7/8 in. x 5/16 in. frame.

PL 15977 (Mill)



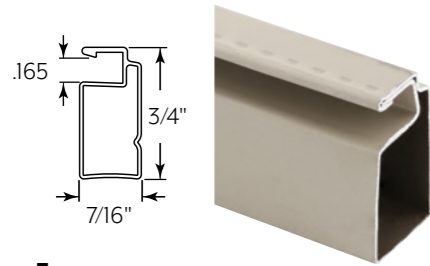
Corner

Qty: 100 per polybag.

Aluminum, miter cut, for 7/8 in. x 5/16 in. frame.

PL 16678 (Mill)

3/4 in. x 7/16 in.



Screen Frame

Qty: 20 pieces per carton.

3/4 in. x 7/16 in. x 94 in., .020 gauge, match for Andersen® Window, use spline size .165 for aluminum mesh or .185 for fiberglass mesh.

[PL 16128](#) (Sandstone / Tan) [PL 16132](#) (Terratone / Bronze)



Corner

Qty: 20 per tub.

Plastic, miter cut, for 3/4 in. x 7/16 in. frame.

[PL 16263](#) (Sandstone / Tan)

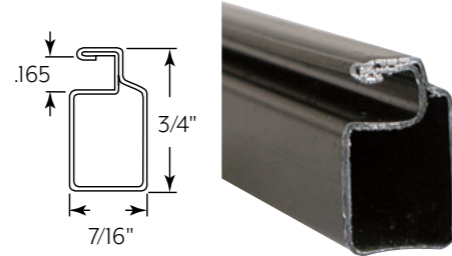


How-To Video: Cutting Screen Frame with a Mitre Box

Screen Frame

3/4 in. x 7/16 in., .020 gauge, use spline size .165 for aluminum mesh or .185 for fiberglass mesh.

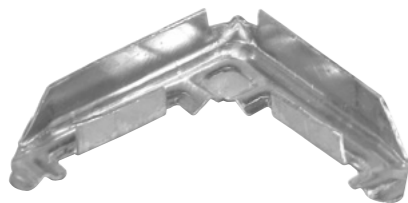
	Length	Pieces per Ctn.	Finish
PL 14039	94 in.	20	Mill
PL 14041	94 in.	20	Bronze
PL 14042	94 in.	20	White
PL 15617	12 ft. 2 in.	40	Mill
PL 15619	12 ft. 2 in.	40	Bronze
PL 15620	12 ft. 2 in.	40	White



Corner

Plastic, square cut, for 3/4 in. x 7/16 in. frame.

	Pack Qty.	Retail Package	Finish
PL 7724	4 per Card	Yes	Gray
PL 7725	4 per Card	Yes	Bronze
PL 7726	4 per Card	Yes	White
PL 14258	100 per Box	No	Gray
PL 14259	100 per Box	No	Bronze
PL 14260	100 per Box	No	White



Corner

Qty: 100 per box.

Aluminum, miter cut, for 3/4 in. x 7/16 in. frame, .040 gauge.

[PL 14268](#) (Mill)



Corner

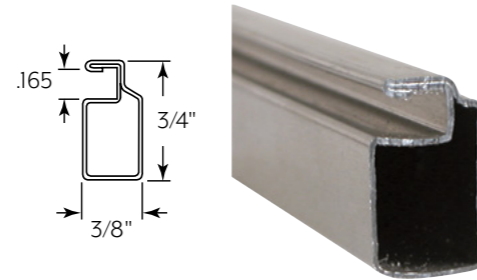
Qty: 20 per tub.

Plastic, riveted corner, adjustable from 45° to 135°, miter cut, for 3/4 in. x 7/16 in. frame.

[PL 16138](#) (Black)

3/4 in. x 3/8 in.

	Length	Pieces per Ctn.	Finish
PL 14053	72 in.	20	Mill
PL 14055	72 in.	20	Bronze
PL 14056	72 in.	20	White
PL 14059	94 in.	20	Mill
PL 14061	94 in.	20	Bronze
PL 14062	94 in.	20	White
PL 15624	12 ft. 2 in.	48	Mill
PL 15626	12 ft. 2 in.	48	Bronze
PL 15627	12 ft. 2 in.	48	White



Screen Frame

3/4 in. x 3/8 in., .020 gauge, use spline size .165 for aluminum mesh or .185 for fiberglass mesh.

	Pack Qty.	Retail Package	Finish
PL 7721	4 per Card	Yes	Gray
PL 7722	4 per Card	Yes	Bronze
PL 7723	4 per Card	Yes	White
PL 14272	100 per Box	No	Gray
PL 14273	100 per Box	No	Bronze
PL 14274	100 per Box	No	White
PL 14275	100 per Box	No	Almond



Corner

Plastic, square cut, for 3/4 in. x 3/8 in. frame.



Corner

Qty: 100 per box.

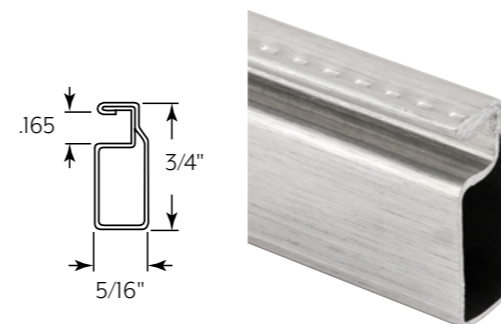
Aluminum, miter cut, for 3/4 in. x 3/8 in. frame, .040 gauge.

[PL 14282](#) (Mill)

3/4 in. x 5/16 in.

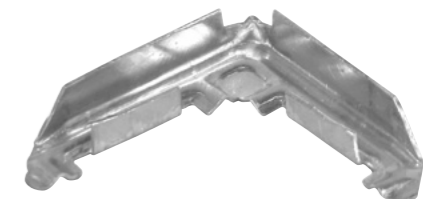
	Length	Pieces per Ctn.	Finish
PL 14071	72 in.	20	Mill
PL 14073	72 in.	20	Bronze
PL 14074	72 in.	20	White
PL 14075	72 in.	20	Almond
PL 14077	94 in.	20	Mill
PL 14079	94 in.	20	Bronze
PL 14080	94 in.	20	White

	Length	Pieces per Ctn.	Finish
PL 15629	12 ft. 2 in.	56	Mill
PL 15631	12 ft. 2 in.	56	Bronze
PL 15632	12 ft. 2 in.	56	White
PL 15633	12 ft. 2 in.	56	Almond
PL 16476	12 ft. 2 in.	56	Adobe
PL 14086	12 ft. 2 in.	100	White



Screen Frame

3/4 in. x 5/16 in., .020 gauge, use spline size .165 for aluminum mesh or .185 for fiberglass mesh.



Corner

Aluminum, miter cut, for 3/4 in. x 5/16 in. frame.

[PL 14294](#) (Qty. 100 per box)

[PL 16030](#) (Qty. 500 per box)

RP = Retail Package Available

Order full cartons only | 6 cards per carton | 1 tub or box per carton

SCREENING ACCESSORIES

Aluminum Screen Frame & Corners

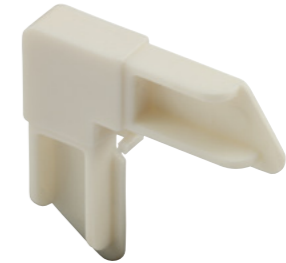
	Pack Qty.	Retail Package	Finish
PL 7727	4 per Card	Yes	Gray
PL 7728	4 per Card	Yes	Bronze
PL 7729	4 per Card	Yes	White
PL 14284	100 per Box	No	Gray
PL 14285	100 per Box	No	Bronze
PL 14286	100 per Box	No	White
PL 14287	100 per Box	No	Almond
PL 16023	250 per Box	No	White



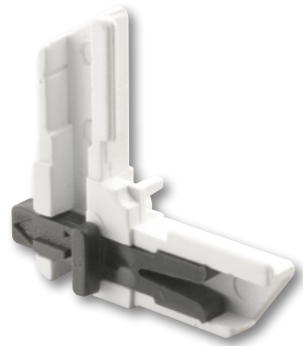
Corner
Plastic, square cut, for 3/4 in. x 5/16 in. frame.



Corner
Qty: 10 pairs per tub.
Plastic, square cut, for 3/4 in. x 5/16 in. frame, left and right hand.
[PL 16156](#) (White)

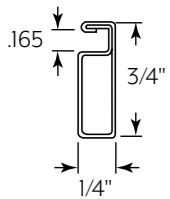


Corner
Qty: 20 per tub.
Plastic, square cut, for 3/4 in. x 5/16 in. frame, used on storm door screen panels.
[PL 16158](#) (White)



Corner
Qty: 20 per tub.
Plastic, square cut, for 3/4 in. x 5/16 in. frame, locking feature.
[PL 16404](#) (White)

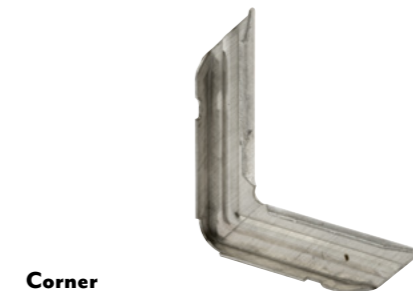
3/4 in. x 1/4 in.



Screen Frame
Qty: 20 pieces per carton.
3/4 in. x 1/4 in. x 94 in., .020 gauge, use spline size .135 for aluminum mesh or .150 for fiberglass mesh.
[PL 14092](#) (Mill) [PL 14093](#) (Bronze) [PL 14094](#) (White)

Corner
Plastic, square cut, for 3/4 in. x 1/4 in. frame.

	Pack Qty.	Retail Package	Finish
PL 7718	4 per Card	Yes	Gray
PL 7719	4 per Card	Yes	Bronze
PL 7720	4 per Card	Yes	White
PL 14297	100 per Box	No	Bronze
PL 14298	100 per Box	No	White



Corner
Qty: 100 per box.
Aluminum, miter cut, for 3/4 in. x 1/4 in. frame.
[PL 14306](#) (Mill)

Screen Frame Kit

Qty: 10 kits per carton.

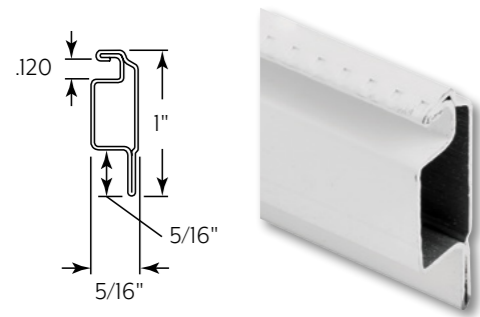
Square-cut screen or storm window kit, includes frame, square cut corners and spline, makes 1 (one) screen frame, accepts aluminum or fiberglass mesh screen or flexible poly film (not included).

	Retail Package	Size	Finish	Length
PL 7803	Yes	3/4 in. x 5/16 in.	Mill	3 ft.
PL 7804	Yes	3/4 in. x 5/16 in.	Mill	4 ft.
PL 7805	Yes	3/4 in. x 5/16 in.	Mill	5 ft.
PL 7856	Yes	3/4 in. x 5/16 in.	Gray	3 ft.
PL 7857	Yes	3/4 in. x 5/16 in.	Gray	4 ft.
PL 7858	Yes	3/4 in. x 5/16 in.	Gray	5 ft.
PL 7806	Yes	3/4 in. x 5/16 in.	Bronze	3 ft.
PL 7807	Yes	3/4 in. x 5/16 in.	Bronze	4 ft.
PL 7808	Yes	3/4 in. x 5/16 in.	Bronze	5 ft.
PL 7812	Yes	3/4 in. x 5/16 in.	White	3 ft.
PL 7813	Yes	3/4 in. x 5/16 in.	White	4 ft.
PL 7814	Yes	3/4 in. x 5/16 in.	White	5 ft.
PL 7823	Yes	3/4 in. x 3/8 in.	White	5 ft.
PL 7800	Yes	3/4 in. x 7/16 in.	Mill	3 ft.
PL 7801	Yes	3/4 in. x 7/16 in.	Mill	4 ft.
PL 7802	Yes	3/4 in. x 7/16 in.	Mill	5 ft.
PL 7809	Yes	3/4 in. x 7/16 in.	Bronze	3 ft.
PL 7810	Yes	3/4 in. x 7/16 in.	Bronze	4 ft.
PL 7811	Yes	3/4 in. x 7/16 in.	Bronze	5 ft.
PL 7836	Yes	3/4 in. x 7/16 in.	White	3 ft.
PL 7837	Yes	3/4 in. x 7/16 in.	White	4 ft.



How-To Video: Building a Square-Cut Screen Frame

Lip Frame & Corners



Lip Frame

Qty: 24 pieces per carton.

1 in. x 5/16 in., 5/16 in. lip, .020 gauge, use spline size .130 for aluminum mesh or .140 for fiberglass mesh.

PL 16771 (Mill - 72 in.)

PL 16773 (White - 94 in.)

PL 16772 (White - 72 in.)



Corner

Qty: 20 per tub.

Plastic, square cut, for 5/16 in. lip frame.

PL 16775 (White)

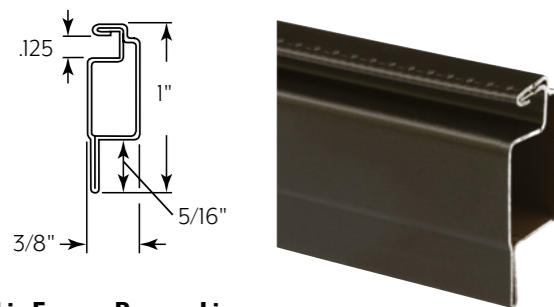


Corner

Qty: 20 per tub.

Plastic, square cut, for 5/16 in. lip frame.

PL 16774 (White)



Lip Frame - Reverse Lip

Qty: 15 pieces per carton.

1 in. x 3/8 in. x 94 in., 5/16 in. lip, .020 gauge, use spline size .140 for aluminum mesh or .150 for fiberglass mesh.

PL 15991 (Bronze)

PL 15992 (White)

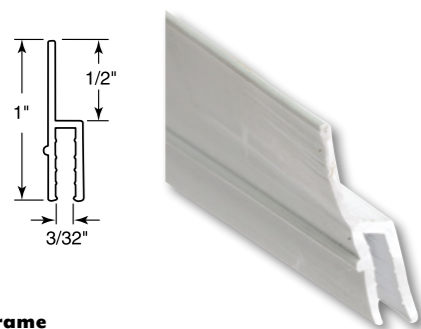


Corner

Qty: 20 per tub.

Aluminum, miter cut, fits 3/8 in. window frame.

PL 14318 (Mill)

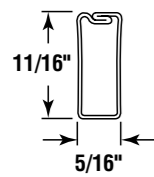


Lip Frame

Qty: 25 pieces per carton.

Rigid vinyl, 1 in. x 3/32 in. x 72 in., 1/2 in. lip, used on basement and storm windows, requires no vinyl insert.

PL 15967 (White)

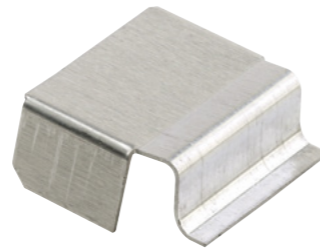


Spreader Bar

Qty: 20 pieces per carton.

11/16 in. x 5/16 x 72 in., .025 gauge, used on screens in excess of 48 in., mounts across the center of the screen and prevents the sides of the screen from bowing in, keeps the screen fabric tight, no wrinkles or sagging.

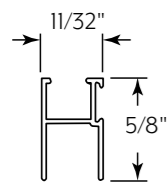
PL 16767 (Mill) **PL 16768** (Bronze) **PL 16769** (White)



Spreader Bar Clip

Stamped aluminum, designed to secure a center-mounted 5/8 in. crossbar onto oversized window screens, secured in the center of screen by the screen spline.

PL 8242 (Qty. 6 per card) **PL 16770** (Qty. 100 per tub)

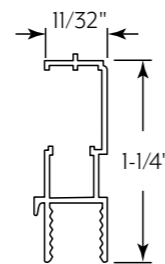


Triple Track Window Frame (Standard Style)

Qty: 12 pieces per carton.

5/8 in. x 11/32 in. x 72 in., top and side window frame, standard style, extruded aluminum.

PL 14189 (Mill) **PL 14190** (Bronze) **PL 14191** (White)

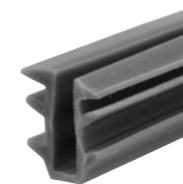


Triple Track Window Frame (Standard Style)

Qty: 6 pieces per carton.

1-1/4 in. x 11/32 in. x 72 in., bottom window frame, standard style, extruded aluminum.

PL 14192 (Mill) **PL 14194** (White)

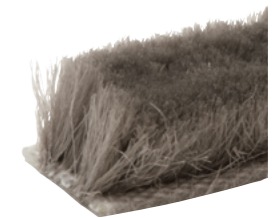
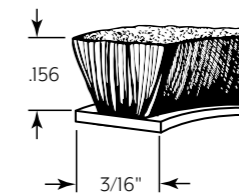


Glazing Channel

Qty: 200 ft., 1 roll per carton.

Flexible extruded gray vinyl, easily trimmed to size, used with aluminum window frame to cushion and insulate the glass, accepts single strength (3/32 in.) glass or plexiglass.

P 7741

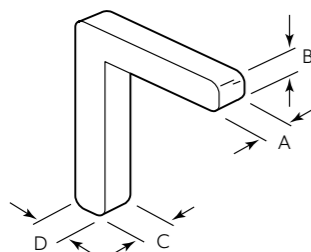


Pile Weatherstrip

Snap-in design, dual fin barrier protection, woven pile material, helps seal out insects, weather and noise.

T 8658 (18 ft., 10 pieces per carton)

P 7823 (100 ft., 1 roll per carton)

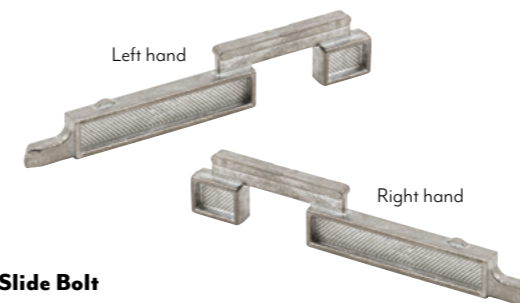


Corner Key

Diecast, non-handed, fits left or right side.

PL 15052 (20 per tub)

"A"	"B"	"C"	"D"
.198	.197	.198	.197
3/16 in.	3/16 in.	3/16 in.	3/16 in.



Slide Bolt

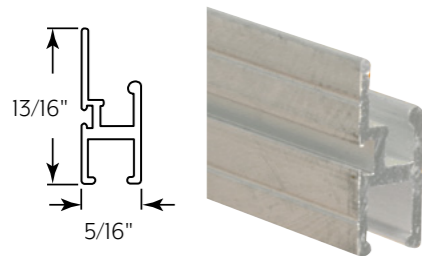
Diecast, handed.

PL 15492 (Left hand - Qty. 20 per tub)

PL 15494 (Right hand - Qty. 20 per tub)

Note: Fractional measurements are nominal only, decimal are actual dimensions.

Triple Track Frame

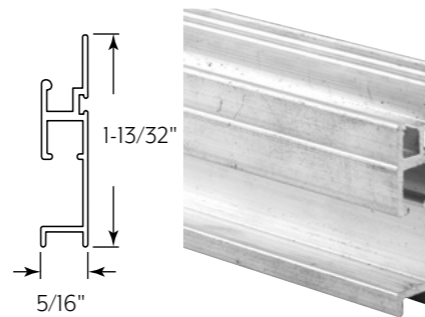


Triple Track Window Frame (Drop-in Style)

Qty: 12 pieces per carton.

13/16 in. x 5/16 in. x 72 in., top and side window frame, drop-in style, extruded aluminum.

[PL15968](#) (Mill) [PL15970](#) (White)

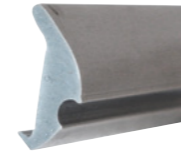


Triple Track Window Frame (Drop-in Style)

Qty: 6 pieces per carton.

1-13/32 in. x 5/16 in. x 72 in., bottom window frame, drop-in style, extruded aluminum.

[PL15971](#) (Mill) [PL15973](#) (White)

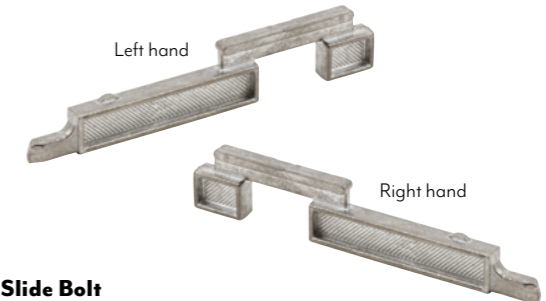


Glazing Spline

Qty: 200 ft., 1 roll per carton.

Flexible extruded gray vinyl, easily trimmed to size, used on aluminum windows between the glass and outer channel.

[P7771](#)

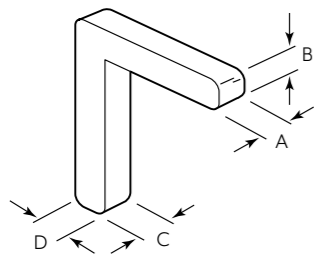


Slide Bolt

Diecast, handed.

[PL15492](#) (Left hand - Qty. 20 per tub)

[PL15494](#) (Right hand - Qty. 20 per tub)



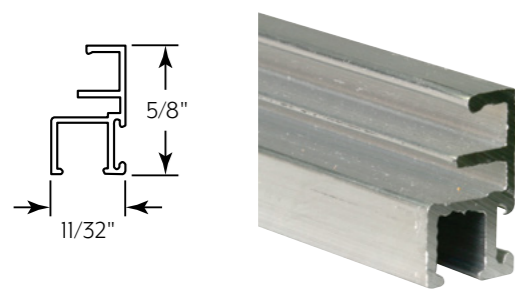
Corner Key

Diecast, non-handed, fits left or right side.

[PL15052](#) (20 per tub)

"A"	"B"	"C"	"D"
.198	.197	.198	.197
3/16 in.	3/16 in.	3/16 in.	3/16 in.

Note: Fractional measurements are nominal only, decimal are actual dimensions.

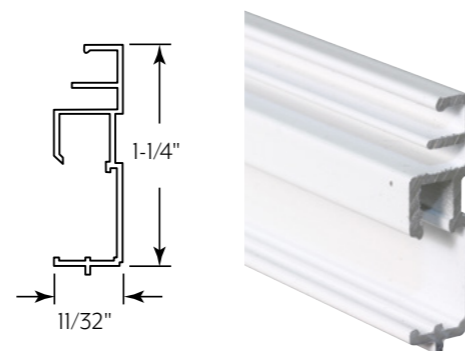


Triple Track Screen Frame (Wrap Around Style)

Qty: 12 pieces per carton.

5/8 in. x 11/32 in., top and side screen frame, wrap around style, extruded aluminum.

[PL14201](#) (Mill) [PL14203](#) (White)



Triple Track Screen Frame (Wrap Around Style)

Qty: 6 pieces per carton.

1-1/4 in. x 11/32 x 72 in., bottom screen frame, wrap around style, extruded aluminum.

[PL14204](#) (Mill) [PL14206](#) (White)



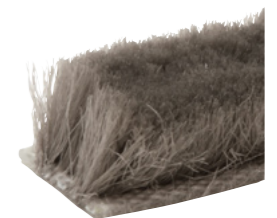
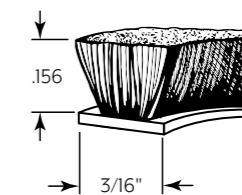
Retainer Spline

Gray flexible extruded vinyl, .140, 32 point hollow core, serrated, for aluminum and fiberglass screening.

[P7633](#) (25 ft.)

[P7661](#) (250 ft.)

[P7662](#) (500 ft.)

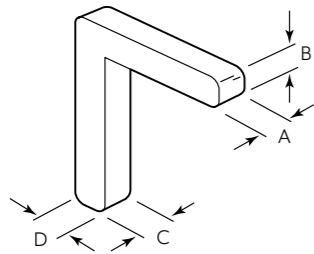


Pile Weatherstrip

Snap-in design, dual fin barrier protection, woven pile material, helps seal out insects, weather and noise.

[T8658](#) (18 ft., 10 pieces per carton)

[P7823](#) (100 ft., 1 roll per carton)



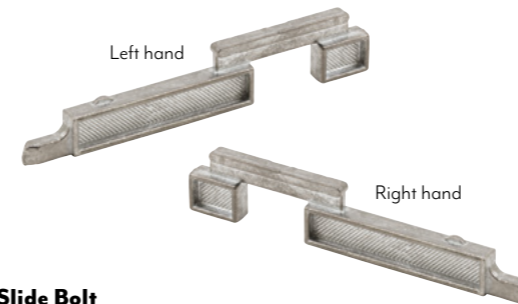
Note: Fractional measurements are nominal only, decimal are actual dimensions.

Corner Key

Diecast, non-handed, fits left or right side.

PL 15052 (20 per tub)

"A"	"B"	"C"	"D"
.198	.197	.198	.197
3/16 in.	3/16 in.	3/16 in.	3/16 in.



Slide Bolt

Diecast, handed.

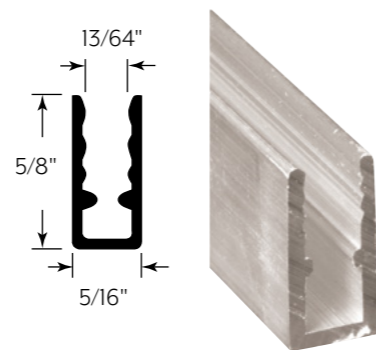
PL 15492 (Left hand - Qty. 20 per tub)

PL 15494 (Right hand - Qty. 20 per tub)

Window Frame

Extruded aluminum, accepts single strength (1/16 in.) or double strength (1/8 in.) glass or plexiglass, can be miter or square-cut.

	Length	Pieces per Ctn.	Finish
PL 14164	94 in.	12	Mill
PL 14166	94 in.	12	White
PL 14167	12 ft. 2 in.	50	Mill

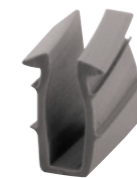


Glazing Channel

Qty: 1 roll per carton.

Flexible extruded gray vinyl, easily trimmed to size, used with aluminum window frame to cushion and insulate the glass, accepts single strength (3/32 in.) glass or plexiglass.

P 7735 (200 ft.)

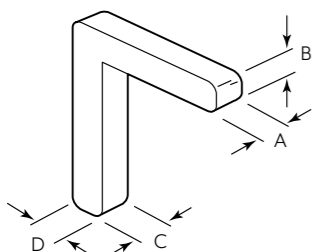


Glazing Channel

Qty: 200 ft., 1 roll per carton.

Flexible extruded gray vinyl, easily trimmed to size, used with aluminum window frame to cushion and insulate the glass, accepts double strength (1/8 in.) glass or plexiglass.

P 7744



Note: Fractional measurements are nominal only, decimal are actual dimensions.

Corner Key

Plastic, non-handed, fits left or right side.

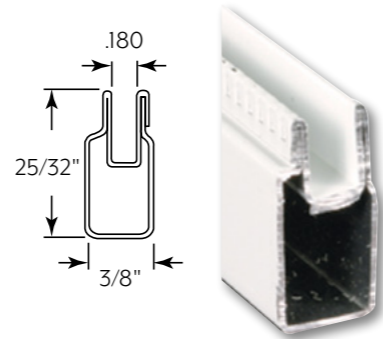
PL 14964 (20 per tub)

"A"	"B"	"C"	"D"
.185	.190	.185	.190
3/16 in.	3/16 in.	3/16 in.	3/16 in.



Window Frame

Extruded aluminum, accepts single strength (1/16 in.) or double strength (1/8 in.) glass or plexiglass, can be miter or square-cut.



PL 14155

PL 14156

PL 14157

Length	Pieces per Ctn.	Finish
94 in.	12	Mill
94 in.	12	Bronze
94 in.	12	White

Corner

Qty: 20 per tub.

Plastic, square cut, for 3/8 in. window frame.

PL 14312 (Gray) **PL 14313** (Bronze) **PL 14314** (White)

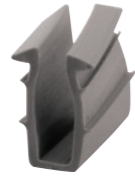


Corner

Qty: 20 per tub.

Aluminum, miter cut, fits 3/8 in. window frame.

PL 14318 (Mill)



Glazing Channel

Qty: 200 ft., 1 roll per carton.

Flexible extruded gray vinyl, easily trimmed to size, used with aluminum window frame to cushion and insulate the glass, accepts double strength (1/8 in.) glass or plexiglass.

P 7744



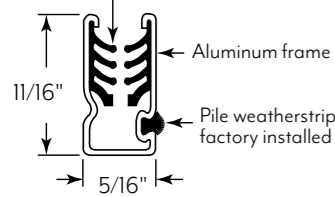
Glazing Channel

Qty: 1 roll per carton.

Flexible extruded gray vinyl, easily trimmed to size, used with aluminum window frame to cushion and insulate the glass, accepts single strength (3/32 in.) glass or plexiglass.

P 7735 (200 ft.)

Pre-installed vinyl seal
Accepts single or double
strength glass or acrylic



Universal "C" Sash

Qty: 12 pieces per carton.

72 in., frame combines roll-formed aluminum, pile weatherstrip and vinyl glass seal, for interior or exterior use, accepts single or double strength glass or plexiglass.

PL 14179 (White)



Corner

Qty: 20 per tub.

Aluminum, miter cut, for universal window "C" sash window frame.

PL 14327 (Mill)



Corner

Qty: 20 per tub.

Plastic, square cut, for universal window "C" sash.

PL 14323 (White)



Corner

Plastic, square cut, for 5/8 in. x 1/4 in. frame.

PL 14335 (Gray - Qty. 20 per tub)

PL 14336 (White - Qty. 20 per tub)

PL 14339 (White - Qty. 100 per box)



Corner

Qty: 20 per tub.

Plastic, miter cut, for 3/4 in. x 7/16 in. frame, fits Pella® window screens.

PL 15759 (Champagne / Tan) **PL 15766** (Cream)

PL 15767 (Bronze)



Corner

Qty: 20 per tub.

Plastic, miter cut, for 3/4 in. x 7/16 in. frame, fits Andersen® window screens.

PL 15756 (Sandstone) **PL 15758** (White)

PL 15757 (Terrastone)



Screen Door Corner

Qty: 20 per box.

Plastic, outside miter cut, 1 in. x 15/32 in. x 3-1/8 in., for Andersen® hinged screen doors.

PL 16124 (White)



Wicket

Qty: 1, with fasteners per box, 10 boxes per carton.

Plastic, can to be used on casement and awning style inside installed window screens, allows access to the window latch, locking latch, pull tab and top hinge.

PL 14698 (Gray)

PL 14700 (White)

PL 14699 (Bronze)

PL 14695 (Black)

Retainer Spline



Retainer Spline

Flexible extruded vinyl, 32 point hollow core, serrated, for aluminum and fiberglass screening.

Size/ Decimal	25 ft. Poly-bagged 10 Bags per carton		Bulk (1 Reel per Ctn.)						Approx. ft. per 15 lb. roll
			250 ft.		500 ft.		15 lbs.		
	Black	Gray	Black	Gray	Black	Gray	Black	Gray	
.090	—	—	—	—	—	—	—	—	2777
.120 - 1/8 in.	P 7516	P 7630	P 7551	P 7649	P 7552	P 7650	P 7553	P 7651	2670
.130	P 7517	—	P 7555	—	P 7556	P 7654	P 7557	P 7655	2400
.140 - 9/64 in.	P 7519	P 7633	P 7563	P 7661	P 7564	P 7662	P 7565	—	1920
.145	—	—	—	—	—	—	P 8446	—	1990
.150	P 7533	—	P 7613	—	P 7614	—	P 7615	—	1815
.155 - 5/32 in.	P 7520	P 7635	P 7567	P 7669	P 7568	P 7670	P 7569	—	1710
.160	—	—	—	—	—	—	P 8727	—	1560
.165 - 11/64 in.	P 7521	P 7636	P 7571	P 7673	P 7572	P 7674	P 7573	—	1500
.170	P 7522	—	—	—	—	—	P 7577	P 7679	1400
.175	P 7523	P 7638	—	—	P 7580	P 7682	P 7581	P 7683	1320
.180	P 7524	—	P 7583	—	—	—	P 7585	—	1200
.185 - 3/16 in.	P 7940	P 7941	P 7944	P 7945	P 7946	P 7947	P 7948	—	1140
.190	P 7525	—	—	—	—	—	—	P 7691	1095
.195	P 7950	—	P 7954	—	—	—	P 7958	—	1005
.200 - 13/64 in.	—	P 7641	—	—	—	—	P 7593	—	990
.210 - 7/32 in.	P 7527	P 7642	P 7595	P 7697	—	—	P 7596	—	915
.220	P 7528	—	P 7598	—	—	—	P 7599	P 7703	855
.225	P 7970	—	—	—	—	—	P 7978	—	800
.230 - 15/64 in.	P 7529	P 7644	P 7601	P 7705	—	—	P 7602	—	780
.240	—	—	—	—	—	—	—	—	712
.250 - 1/4 in.	P 7530	P 7645	P 7604	P 7709	—	—	P 7605	P 7711	675

RP = Retail Package Available

Order full cartons only | 6 cards per carton | 1 tub or box per carton



Foam Spline

Qty: (1) 500 ft. reel per carton.

Flexible foam core, smooth finish.

* .190 sized foam spline is for use with a 7/8 in. x 5/16 in. extruded frame

** .270 sized foam spline is an excellent and easy to install substitute for metal spline

	Size/Decimal		Size/Decimal
P 8121	.120	P 8328	.190*
P 8123	.145	P 8129	.200
P 8125	.160	P 8131	.225
P 8465	.165	P 8133	.250
P 8127	.180	P 8135	.270**



Rigid Spline

Qty: 25 per carton.

Rigid, 80 in., fits Forever® & Emco Andersen® brand doors.

[P 8167](#) (Black)



Multi-Spline

Qty: 1 set per bag, 10 bags per carton.

20 ft., flexible vinyl, 3 sizes in one - .120, .145 & .165 sizes.

[P 8164](#) (Black)



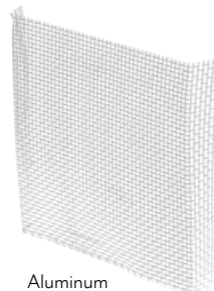
How-To Video: Re-screening with fiberglass cloth

Screen Cloth Kit

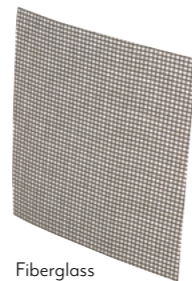
Qty: 1 set per bag, 10 bags per pack.

Fiberglass cloth, plastic rolling tool, vinyl spline (30 ft.).

	Cloth Size	Spline size	Retail Package
P 7511	36 in. x 84 in.	.180	Yes
P 7541	48 in. x 84 in.	.180	Yes
P 7515	36 in. x 84 in.	.155	Yes
P 7542	48 in. x 84 in.	.155	Yes



Aluminum



Fiberglass

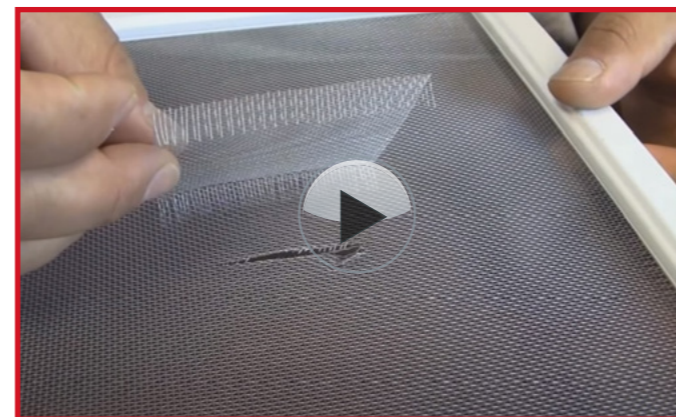


Screen Repair Patches

Qty: 5 per card, 10 cards per carton.

3 in. x 3 in. screen patch, repair minor holes and tears in screens.

	Patch material	Finish	Retail Package
P 8098	Aluminum	Aluminum	Yes
P 7549	Aluminum	Charcoal	Yes
P 8095	Self adhesive fiberglass	Gray	Yes
P 8096	Self adhesive fiberglass	Charcoal	Yes



How-To Video: Repairing holes in your window screen



Flat Screen Spline

Qty: 500 ft., 1 roll per carton.

Black vinyl, flat bottom and curved top edge, easily trimmed to size, .344 wide.

[P 8091](#)



Flat Screen Spline

Qty: 1 roll per carton.

Black vinyl, flat bottom and curved top edge, easily trimmed to size, .315 wide.

[P 8336](#) (25 ft.) [P 7845](#) (500 ft.)

[P 7843](#) (100 ft.) [P 7846](#) (1000 ft.)



Glazing Channel

Qty: 750 ft., 1 roll per carton.

Flexible extruded black vinyl, easily trimmed to size, used with aluminum window frame to cushion and insulate the glass, accepts single strength (3/32 in.) glass or plexiglass.

[P 7836](#)



Glazing Channel

Qty: 750 ft., 1 roll per carton.

Flexible extruded black vinyl, easily trimmed to size, used with aluminum window frame to cushion and insulate the glass, accepts double strength (1/8 in.) glass or plexiglass.

[P 7837](#)



Glazing Channel

Qty: 200 ft., 1 roll per carton.

Flexible extruded gray vinyl, easily trimmed to size, used with aluminum window frame to cushion and insulate the glass, accepts single strength (3/32 in.) glass or plexiglass.

[P 7732](#)

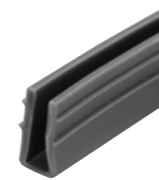


Glazing Channel

Qty: 1 roll per carton.

Flexible extruded gray vinyl, easily trimmed to size, used with aluminum window frame to cushion and insulate the glass, accepts single strength (3/32 in.) glass or plexiglass.

[P 7735](#) (200 ft.)

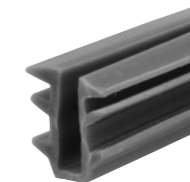


Glazing Channel

Qty: 200 ft., 1 roll per carton.

Flexible extruded gray vinyl, easily trimmed to size, used with aluminum window frame to cushion and insulate the glass, accepts single strength (3/32 in.) glass or plexiglass.

[P 7738](#)

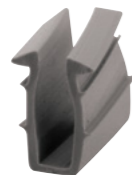


Glazing Channel

Qty: 200 ft., 1 roll per carton.

Flexible extruded gray vinyl, easily trimmed to size, used with aluminum window frame to cushion and insulate the glass, accepts single strength (3/32 in.) glass or plexiglass.

[P 7741](#)



Glazing Channel

Qty: 200 ft., 1 roll per carton.

Flexible extruded gray vinyl, easily trimmed to size, used with aluminum window frame to cushion and insulate the glass, accepts double strength (1/8 in.) glass or plexiglass.

[P 7744](#)

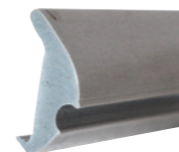


Glazing Spline

Qty: 200 ft., 1 roll per carton.

Flexible extruded gray vinyl, easily trimmed to size, used on aluminum windows between the glass and outer channel.

[P 7795](#)



Glazing Spline

Qty: 200 ft., 1 roll per carton.

Flexible extruded gray vinyl, easily trimmed to size, used on aluminum windows between the glass and outer channel.

[P 7771](#)



Glazing Spline

Qty: 200 ft., 1 roll per carton.

Flexible extruded gray vinyl, easily trimmed to size, used on aluminum windows between the glass and outer channel.

[P 7774](#)

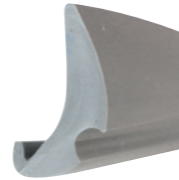


Glazing Spline

Qty: 200 ft., 1 roll per carton.

Flexible extruded gray vinyl, easily trimmed to size, used on aluminum windows between the glass and outer channel.

[P 7768](#)



Glazing Spline

Qty: 200 ft., 1 roll per carton.

Flexible extruded gray vinyl, easily trimmed to size, used on aluminum windows between the glass and outer channel.

[P 7777](#)



Glazing Spline

Qty: 200 ft., 1 roll per carton.

Flexible extruded gray vinyl, easily trimmed to size, used on aluminum windows between the glass and outer channel.

[P 7786](#)



Glazing Spline

Qty: 200 ft., 1 roll per carton.

Flexible extruded gray vinyl, easily trimmed to size, used on aluminum windows between the glass and outer channel.

[P 7792](#)



Rigid Vinyl

Qty: 25 pieces per carton.

Rigid extruded vinyl, 72 in., snap-in, easily trimmed to size, used on aluminum windows between the glass and outer channel.

[P 8047](#) (Gray) [P 7861](#) (White)
[P 7810](#) (Black) [P 8205](#) (Brown)



Rigid Vinyl

Qty: 25 pieces per carton.

Rigid extruded black vinyl, 72 in., snap-in, easily trimmed to size, used on aluminum windows between the glass and outer channel.

[P 7813](#)



Rigid Vinyl

Qty: 25 pieces per carton.

Rigid extruded vinyl, 72 in., snap-in, easily trimmed to size, used on aluminum windows between the glass and outer channel.

[P 7815](#) (Black) [P 7866](#) (White)



Rigid Vinyl

Qty: 25 pieces per carton.

Rigid extruded vinyl, 72 in., snap-in, easily trimmed to size, used on aluminum windows between the glass and outer channel.

[P 8053](#) (Gray) [P 7816](#) (Black) [P 7867](#) (White)



Rigid Vinyl

Qty: 25 pieces per carton.

Rigid extruded vinyl, 72 in., snap-in, easily trimmed to size, used on aluminum windows between the glass and outer channel.

[P 7872](#) (Gray) [P 7873](#) (White)



Rigid Vinyl

Qty: 25 pieces per carton.

Rigid extruded white vinyl, 72 in., snap-in, easily trimmed to size, used on aluminum windows between the glass and outer channel.

[P 7851](#)



Rigid Vinyl

Qty: 25 pieces per carton.

Rigid extruded white vinyl, 72 in., snap-in, easily trimmed to size, used on aluminum windows between the glass and outer channel.

[P 7853](#)



Rigid Vinyl

Qty: 25 pieces per carton.

Rigid extruded white vinyl, 72 in., snap-in, easily trimmed to size, used on aluminum windows between the glass and outer channel.

[P 8211](#)

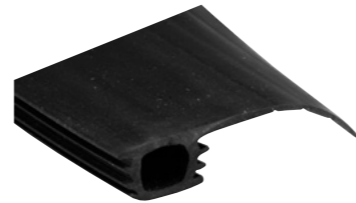


Bug Seal

Qty: 10 per carton.

Black flexible vinyl, 84 in., adjustable width from 7/8 in. to 1-3/8 in., press-in fit, seals off the gap between the sliding screen door and the patio glass door to protect from insects.

PL 14696



Bug Seal

Qty: 4 per carton.

Black flexible vinyl, 84 in., adjustable width from 7/8 in. to 1-1/2 in., press-in fit, seals off the gap between the sliding screen door and the patio glass door to protect from insects.

B 716



Bug Seal

Qty: 6 per carton.

Black flexible vinyl, 84 in., adjustable width from 3/4 in. to 1-3/8 in., press-in fit, seals off the gap between the sliding screen door and the patio glass door to protect from insects.

B 705



Bug Seal

Qty: 6 per carton.

Black flexible vinyl, 84 in., adjustable width from 1 in. to 1-3/4 in., press-in fit, seals off the gap between the sliding screen door and the patio glass door to protect from insects.

B 791



Bug Seal

Qty: 6 per carton.

Black flexible vinyl, 84 in., adjustable width from 7/8 in. to 1-3/8 in., press-in fit, seals off the gap between the sliding screen door and the patio glass door to protect from insects.

B 660



Storm Door Bottom Sweep

Qty: 10 per carton.

Gray flexible vinyl, 37 in., 9/16 in high, "T" style, used as a bottom seal on storm doors to help prevent air infiltration.

T 8680



Storm Door Bottom Sweep

Qty: 10 per carton.

Gray flexible vinyl, 37 in., 3/8 in high, "V" shape, used as a bottom seal on storm doors to help prevent air infiltration.

T 8681



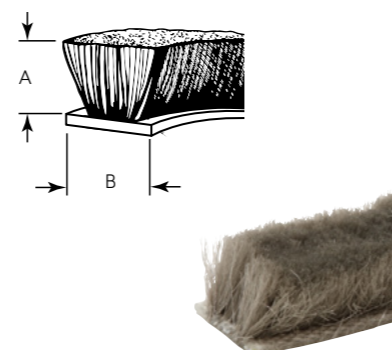
Threshold Insert

Qty: 6 per carton.

Gray vinyl, 36 in long, snap-in style.

T 8707

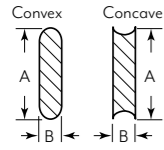
"A" Height	"B" Width	Installs	Color	18 ft. (10 per Ctn.)	100 ft. (1 per Ctn.)
.150	1/4 in.	Adhesive backed	Gray	T 8722	P 8225
1/4 in.	3/8 in.	Adhesive backed	Gray	T 8752	—
1/4 in.	3/8 in.	Adhesive backed	White	T 8751	—
3/8 in.	3/8 in.	Adhesive backed	Gray	T 8754	—
.156	3/16 in.	Snap-in	Gray	T 8658	P 7823
.160	1/4 in.	Snap-in	Gray	T 8659	P 7827



Pile Weatherstrip

Dual fin barrier protection, woven pile material, helps seal out insects, weather and noise.

Rolling Tools



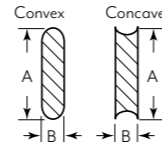
Rolling Tool

Qty: 1

Plastic handle and wheels.

P 7503

Convex Wheel		Concave Wheel		For Spline Size
"A"	"B"	"A"	"B"	
1-5/8 in.	3/32 in.	1-5/8 in.	3/32 in.	.115 - .165



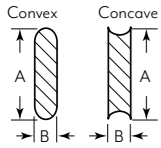
Rolling Tool

Qty: 1

Wood handle, steel wheels.

P 7505

Convex Wheel		Concave Wheel		For Spline Size
"A"	"B"	"A"	"B"	
1-5/16 in.	3/32 in.	1-5/16 in.	3/32 in.	.115 - .165



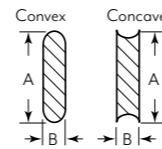
Rolling Tool

Qty: 1

Wood handle, steel ball bearing wheels.

P 7508

Convex Wheel		Concave Wheel		For Spline Size
"A"	"B"	"A"	"B"	
1-1/2 in.	3/32 in.	1-1/2 in.	1/8 in.	.130 - .180



Rolling Tool

Qty: 1

Wood handle.



P 7720

P 8058

P 7629

P 8059

Convex Wheel		Concave Wheel		Wheel	For Spline Size
"A"	"B"	"A"	"B"		
2-1/2 in.	1/16 in.	2 in.	1/8 in.	Plastic ball bearing	.150 - .180
2-1/2 in.	1/16 in.	2 in.	3/32 in.	Plastic ball bearing	.115 - .165
2-1/2 in.	1/16 in.	2 in.	1/8 in.	Steel ball bearing	.150 - .180
2-1/2 in.	1/16 in.	2 in.	3/32 in.	Steel ball bearing	.115 - .165



Rolling Tool

Qty: 1

Wood handle, steel ball bearing wheel.

P 7908

O.D.	Width
2 in.	2 in.



Screen Shears

Qty: 1
10 in. blades, moly steel edge, use for fiberglass or aluminum screen.

P 8062



Screen Frame Notching Jig

Qty: 1
Slotted wood frame & base, notching tool, step drill bit, allows frame to be securely held while being notched, holds 1/4 in., 5/16 in., 3/8 in., 7/16 in., and 1/2 in. screen frame.

P 7916



Screen Frame Notching Tool

Qty: 1
Wood handle with steel tip, notches frame for slide locks, tension springs and knife latches.

P 7920



Step Drill Bit

Qty: 1 per package, 10 packages per box.
1/8 in. O.D. starter tip and then steps up to a 7/32 in. O.D., used for drilling the correct sized holes for installation of plunger latches.

P 7922



Saw Blade

Qty: 1
Semi-high speed, 1/16 in. thick carbon steel with type "A" teeth, 5/8 in. arbor for use on 10 in. bench, radial arm and chop saws.

P 7929 (200 Teeth) **P 7930** (250 Teeth)

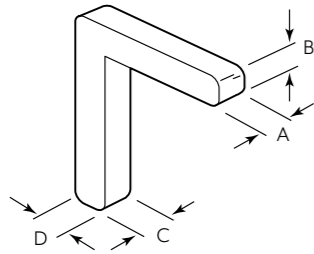


Saw Wax

Qty: 1
16 oz., lubricant for use on semi-high speed saw blades, results in a smooth and quick cut, adding longer life to the cutting teeth and helps eliminate burring.

P 7931

Corner & Tilt Keys



Note: Fractional measurements are nominal only, decimal are actual dimensions.

Corner Key

Plastic, non-handed, fits left or right side.

PL 14954 (20 per tub)

"A"	"B"	"C"	"D"
.190	.236	.190	.236
5/32 in.	1/4 in.	5/32 in.	1/4 in.



Corner Key

Plastic, non-handed, fits left or right side.

PL 14964 (20 per tub)

"A"	"B"	"C"	"D"
.185	.190	.185	.190
3/16 in.	3/16 in.	3/16 in.	3/16 in.



Corner Key

Plastic, non-handed, fits left or right side.

PL 14966 (20 per tub)

"A"	"B"	"C"	"D"
.238	.202	.238	.202
7/32 in.	7/32 in.	7/32 in.	7/32 in.



Corner Key

Qty: 20 per tub.

Aluminum, non-handed, fits left or right side.

PL 15030

"A"	"B"	"C"	"D"
.185	.189	.185	.189
3/16 in.	3/16 in.	3/16 in.	3/16 in.

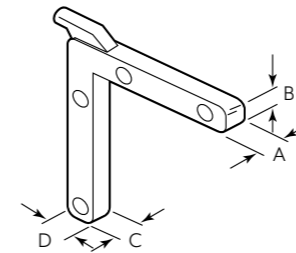


Corner Key

Diecast, non-handed, fits left or right side.

PL 15052 (20 per tub)

"A"	"B"	"C"	"D"
.198	.197	.198	.197
3/16 in.	3/16 in.	3/16 in.	3/16 in.



Note: Fractional measurements are nominal only, decimal are actual dimensions.



Tilt Key

Plastic, non-handed, fits left or right side.

PL 15130 (20 per tub)

"A"	"B"	"C"	"D"
.180	.202	.180	.202
3/16 in.	3/16 in.	3/16 in.	3/16 in.



Tilt Key

Plastic, non-handed, fits left or right side.

PL 15144 (20 per tub)

"A"	"B"	"C"	"D"
.230	.208	.230	.208
7/32 in.	7/32 in.	7/32 in.	7/32 in.



Tilt Key

Plastic, non-handed, fits left or right side.

PL 15150 (20 per tub)

"A"	"B"	"C"	"D"
.160	.185	.160	.185
3/16 in.	3/16 in.	3/16 in.	3/16 in.



Tilt Key

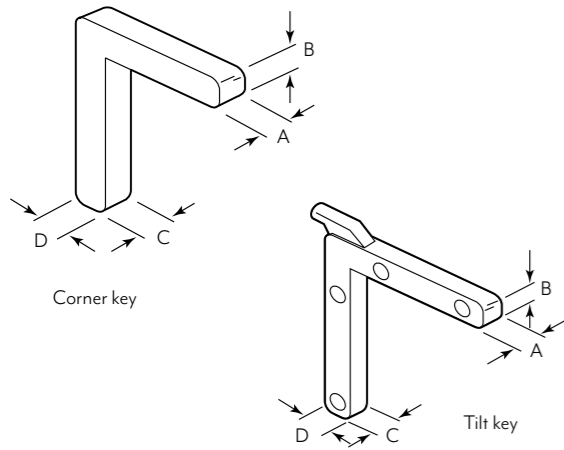
Plastic, non-handed, fits left or right side.

PL 14997 (20 per tub)

"A"	"B"	"C"	"D"
.174	.188	.174	.188
11/64 in.	3/16 in.	11/64 in.	3/16 in.

SCREENING ACCESSORIES

Corner Keys, Tilt Keys & Slide Bolts



Note: Fractional measurements are nominal only, decimal are actual dimensions.



Corner & Tilt Key

Qty: 2 pairs per package, 6 packages per box.
Plastic, non-handed, fits left or right side.

T 8687

Corner Key			
"A"	"B"	"C"	"D"
.180	.185	.180	.185
3/16 in.	3/16 in.	3/16 in.	3/16 in.

Tilt Key			
"A"	"B"	"C"	"D"
.178	.176	.178	.178
3/16 in.	3/16 in.	3/16 in.	3/16 in.



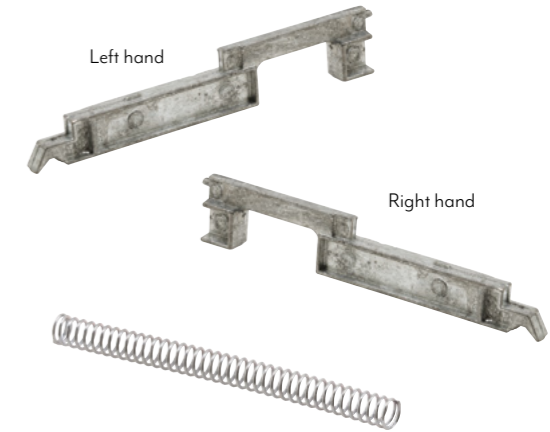
Corner & Tilt Key

Qty: 2 pairs per package, 6 packages per box.
Diecast, non-handed, fits left or right side.

T 8689

Corner Key			
"A"	"B"	"C"	"D"
.172	.176	.172	.176
3/16 in.	3/16 in.	3/16 in.	3/16 in.

Tilt Key			
"A"	"B"	"C"	"D"
.190	.184	.190	.184
3/16 in.	5/32 in.	3/16 in.	5/32 in.

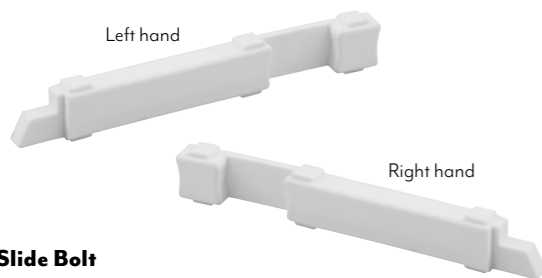


Slide Bolt & Spring

Qty: 1 left hand and 1 right hand slide bolt, 2 springs,
6 packages per box.

Diecast slide bolt, handed, plated steel spring.

T 8690

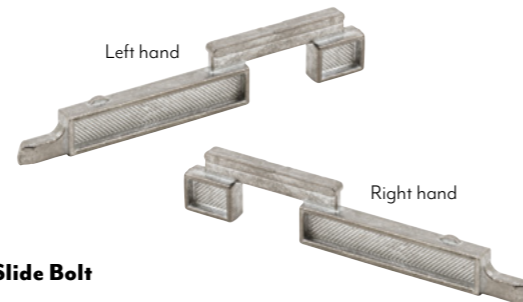


Slide Bolt

Plastic, handed.

PL 15322 (Left hand – Qty. 20 per tub)

PL 15324 (Right hand – Qty. 20 per tub)

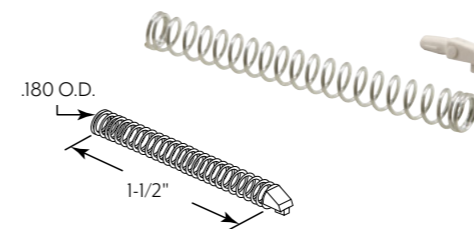


Slide Bolt

Diecast, handed.

PL 15492 (Left hand – Qty. 20 per tub)

PL 15494 (Right hand – Qty. 20 per tub)



Slide Bolt Spring

Plated steel spring, with plastic retainer, provides tension to secure the tips of the slide bolt into the window frame.

PL 14893 (20 per tub)



How-To Video: Replace slide bolts in a storm window

Clips



Awning Window Stretch Clip

Qty: 12 clips, with fasteners.

Stamped aluminum.

[PL 7971](#) (For 5/16 in. x 3/4 in. screen frame)

[PL 7972](#) (For 3/8 in. x 3/4 in. screen frame)

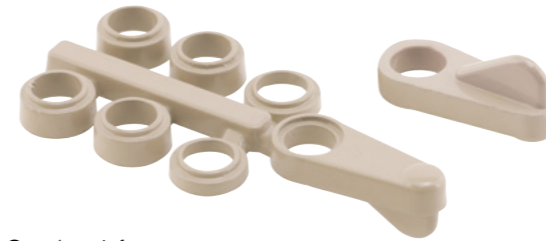


Screen Clip

Qty: 1000 clips per polybag.

Stamped aluminum.

PL 16401



Qty: 4, with fasteners.

Diecast, 8 universal sizes, combination barrel segments stack and interlock for proper sizing, patent number 10,641,019.

L 5926 (Mill)

L 5931 (White)

L 5927 (Almond)

L 5930 (Black)

L 5929 (Bronze)



Qty: 4, with fasteners.

Plastic, 8 universal sizes, combination barrel segments stack and interlock for proper sizing, patent number 10,641,019.

L 5920 (Gray)

L 5924 (White)

L 5923 (Black)

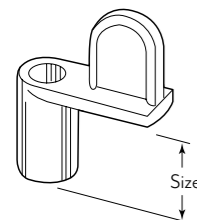
L 5922 (Bronze)

Screen Clip

Diecast, plated zinc.



Flush



Size	Pack Qty.	Retail Package	With Fasteners	Mill	Black	White	Bronze
Flush	12 per card	Yes	Yes	PL 7730	—	—	—
Flush	100 per tub	No	No	PL 14404	PL 14405	PL 14406	—
1/16 in.	12 per card	Yes	Yes	PL 7731	—	—	—
1/16 in.	100 per tub	No	No	PL 14416	—	PL 14418	PL 14419
3/16 in.	100 per tub	No	No	PL 14440	—	—	—
1/4 in.	100 per tub	No	No	—	PL 14453	PL 14454	—
5/16 in.	12 per card	Yes	Yes	PL 7735	—	PL 7893	PL 7894
5/16 in.	100 per tub	No	No	PL 14464	PL 14465	PL 14466	PL 14467
3/8 in.	12 per card	Yes	Yes	PL 7736	—	—	PL 7897
3/8 in.	100 per tub	No	No	PL 14476	PL 14477	PL 14478	—
7/16 in.	12 per card	Yes	Yes	PL 7737	PL 7844	—	PL 7900
7/16 in.	25 per tub	No	Yes	—	PL 14485	—	—
7/16 in.	100 per tub	No	No	PL 14488	PL 14489	PL 14490	PL 14491
1-3/16 in.	100 per box	No	No	—	—	PL 14502	—

RP = Retail Package Available

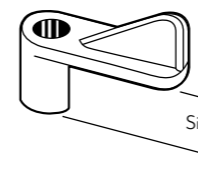
Order full cartons only | 6 cards per carton | 1 tub or box per carton

Screen Clip

Plastic.



Flush



Size	Pack Qty.	Retail Package	With Fasteners	Gray	Black	White
Flush	12 per card	Yes	Yes	—	PL 7906	PL 7738
Flush	25 per tub	No	Yes	—	—	PL 14518
Flush	100 per tub	No	No	—	PL 14521	PL 14522
1/16 in.	12 per card	Yes	Yes	PL 7739	—	PL 7909
1/16 in.	25 per tub	No	Yes	—	—	PL 14530
1/16 in.	100 per tub	No	No	PL 14532	—	PL 14534
3/16 in.	100 per tub	No	No	PL 14544	—	—
5/16 in.	12 per card	Yes	Yes	PL 7741	—	PL 7773
5/16 in.	100 per tub	No	No	—	PL 14569	—
3/8 in.	12 per card	Yes	Yes	—	—	PL 7774
3/8 in.	100 per tub	No	No	PL 14580	—	PL 14582
7/16 in.	12 per card	Yes	Yes	PL 7743	—	PL 7775
7/16 in.	100 per tub	No	No	—	PL 14593	PL 14594
1-3/16 in.	25 per tub	No	Yes	—	PL 16544	—



Rams Horn Clip

Spring steel, used to secure half screens to openings.

[PL 14853](#) (Qty. 50 per tub) [PL 14854](#) (Qty. 250 per tub)



Sash Window Glazing Clip

Qty: 50 per tub.

Spring steel, used for securing glass panes prior to glazing.

[PL 14856](#)



Panel Clip

Qty: 100 per tub.

White plastic, flush offset.

[PL 14616](#)



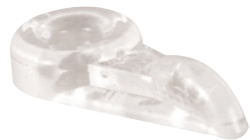
Panel Clip

White plastic, 1/16 in. offset.

[PL 7919](#) (Qty. 8 per card, with fasteners)

[PL 14634](#) (Qty. 25 per tub, with fasteners)

[PL 14636](#) (Qty. 1,000 per carton)



Panel Clip

Clear plastic, 1/32 in. offset.

[T 8733](#) (Qty. 8 per card, with fasteners)

[PL 15750-A](#) (Qty. 25 per tub)

[PL 15752](#) (Qty. 1,000 per ctn.)

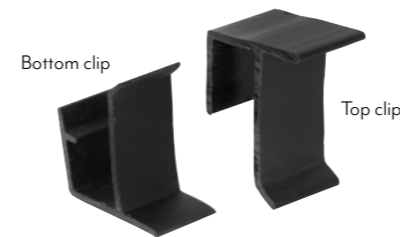


Turn Button

White plastic, 9/16 in. reach.

[PL 7920](#) (Qty. 12 per card, with fasteners)

[PL 14638](#) (Qty. 100 per tub)



Retainer Clip

Qty: 1 set contains 1 top and 1 bottom clip.

Black plastic, top and bottom clips, for 7/16 in. screen frame, requires no fasteners.

[PL 7765](#) (Qty. 4 sets per card)

[PL 14633](#) (Qty. 100 sets per box)



Retainer Clip

Qty: 100 per box.

Spring steel, for 3/8 in. screen frame, requires no fasteners.

[PL 15541](#) (Mill)



Retainer Clip

Qty: 100 per box.

Plastic, for 3/8 in. and 7/16 in. screen frame, requires no fasteners.

[PL 15545](#) (Black)



Spline Channel Pull Tab

Qty: 100 per box.

Stamped aluminum, requires no fasteners.

[PL 15551](#)



Spline Channel Pull Tab

Qty: 25 per tub.

Stamped aluminum, for 3/8 in. and 7/16 in. screen frame, requires no fasteners.

[PL 16008](#)



Spline Channel Pull Tab

Qty: 25 per tub.

Plastic, requires no fasteners.

[PL 15753](#) (Black) [PL 16450](#) (White)



Spline Channel Pull Tab

Plastic, requires no fasteners.

Pack Qty.	Retail Package	Black	White
6 per card	Yes	PL 7921	PL 7756
25 per tub	No	PL 14621	PL 14618
100 per tub	No	PL 14622	PL 14619



Flat Spring

Heat treated spring steel, corner mount, adds tension that secures the screen frame.

- [PL 16440](#) (3/16 in. wide – Qty. 25 per tub)
- [PL 16482](#) (3/16 in. wide – Qty. 1,000 per ctn.)
- [PL 7776](#) (1/4 in. wide – Qty. 6 per card)
- [PL 14630](#) (1/4 in. wide – Qty. 25 per tub)
- [PL 14631](#) (1/4 in. wide – Qty. 100 per tub)
- [PL 15554](#) (1/4 in. wide – Qty. 1,000 per ctn.)



Flat Spring (Standard Arch)

Heat treated steel spring, standard arch half moon design, 2-7/8 in. length, 3/16 in. wide, adds tension that secures the screen frame.

- [PL 7758](#) (Qty. 6 per card)



Flat Spring (High Arch)

Heat treated steel spring, high arch/high tension half moon design, 2-3/4 in. length, 1/4 in. wide, adds tension that secures the screen frame.

- [PL 14624](#) (Qty. 25 per tub)
- [PL 14625](#) (Qty. 100 per tub)



Wire Spring

Qty: 100 per tub.
Spring steel wire.

- [PL 14627](#)



Hangers and Latch

Qty: 4 hangers, 2 latches, with fasteners.
Stamped aluminum, for 7/16 in. screen frame.

- [PL 7760](#) (Mill)



Hangers and Latch

Qty: 4 hangers, 2 latches, with fasteners.
Stamped aluminum, for 7/16 in. screen frame.

- [PL 7846](#) (Bronze)
- [PL 7847](#) (White)



Hangers and Latch

Qty: 1 set, with fasteners per card.
Stamped aluminum.

For Frame Size	Retail Package	Mill	Bronze	White
5/16 in.	Yes	—	PL 8132	—
3/8 in.	Yes	PL 8101	PL 8102	PL 8103



Hangers

Qty: 6 hangers, with fasteners.
Stamped aluminum.

- [PL 7845](#) (White – For 7/16 in. frame)
- [PL 8106](#) (White – For 3/8 in. frame)



Latch

Stamped aluminum, slip-on.

- [PL 7768](#) (Qty. 4 per card, with fasteners)
- [PL 14658](#) (Qty. 25 per tub, with fasteners)
- [PL 14659](#) (Qty. 100 per tub)



Latch

Stamped aluminum, slip-on, for 7/16 in. screen frame.

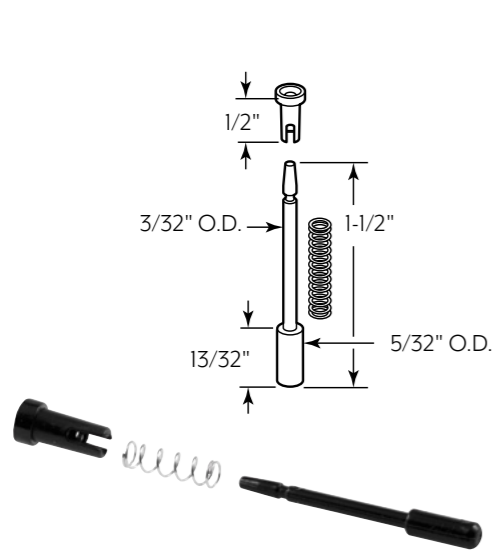
- [PL 7762](#) (Mill – Qty. 4 per card, with fasteners)
- [PL 14656](#) (Mill – Qty. 25 per tub, with fasteners)



Latch

Qty: 25, with fasteners per tub.

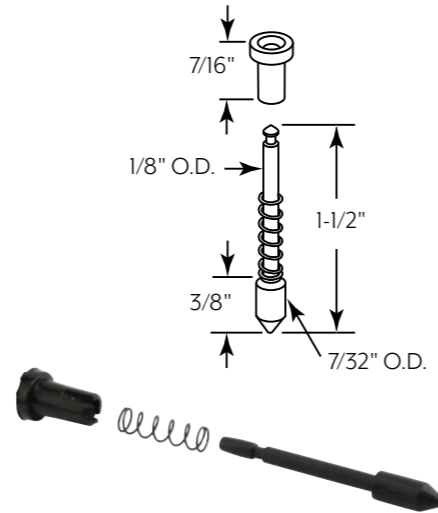
Stamped aluminum, slip-on, for 7/16 in. screen frame.
[PL 15571](#) (White)



Plunger Latch

Plastic, spring loaded, snap-on style, for 1/4 in. or 5/16 in. x 3/4 in. frame.

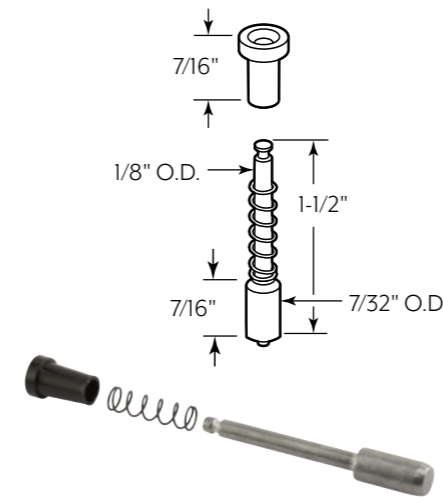
PL 14663 (Qty. 25 per tub) **PL 14664** (Qty. 100 per tub)



Plunger Latch

Plastic, spring loaded, snap-on style, for 3/8 in. or 7/16 in. x 3/4 in. frame.

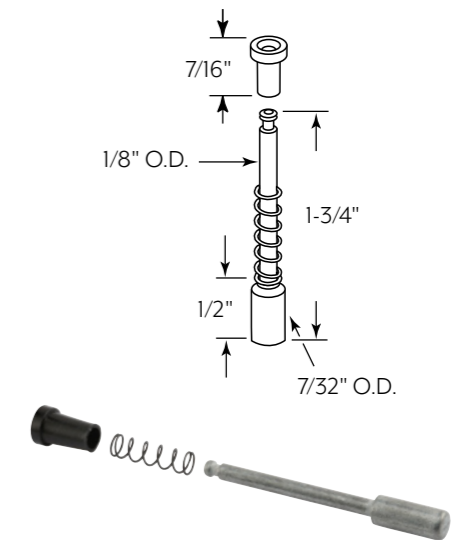
PL 7777 (Qty. 6 per card) **PL 14667** (Qty. 100 per tub)
PL 14666 (Qty. 25 per tub)



Plunger Latch

Diecast bolt, plastic cap, spring loaded, snap-on style, for 3/8 in. or 7/16 in. x 3/4 in. frame.

PL 7925 (Qty. 6 per card)
PL 14660 (Qty. 25 per tub)
PL 14661 (Qty. 100 per tub)
PL 14661PB (Qty. 100 per polybag)

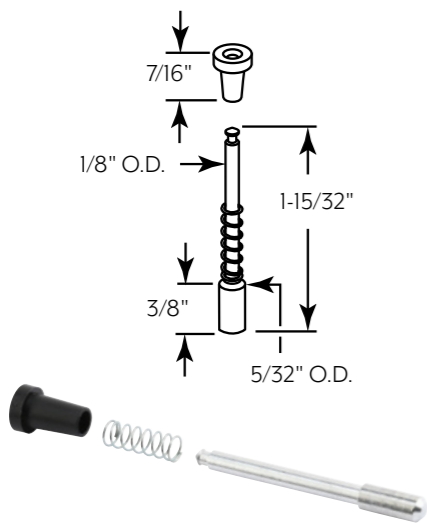


Plunger Latch

Qty: 100 per tub.

Diecast bolt, plastic cap, spring loaded, snap-on style, for 7/16 in. x 1 in. frame.

PL 14670



Plunger Latch

Qty: 100 per tub.

Aluminum bolt, plastic cap, spring loaded, snap-on style, for 5/16 in. or 3/8 in. x 3/4 in. frame.

PL 16470



Knife Latch

Qty: 25 per tub.

Stamped aluminum, left and right hand, used to secure aluminum screen frames in sliding window channels.

PL 14672 (Right hand – 25 per tub)
PL 14674 (Left hand – 25 per tub)



Lock Pins

Qty: 100 per tub.

Plated steel, for 1 in. frames, used to secure window screens on sliding aluminum windows.

PL 14679



Top Hanger

Qty: 2 sets, with fasteners.

Stamped aluminum, top mount.

PL 8007



Window Grid Retainer

Clear plastic with steel pin, plastic retainer sleeve, used to secure decorative window grids in place.

[PL 7983](#) (Qty. 6 per card) [PL 15685](#) (Qty. 25 per tub)



Storm Door Panel Clip

Aluminum clip and thumbscrew, 1/4 in. offset, used for attaching a storm window or screen panel to storm door frame.

[PL 7939](#) (Mill – Qty. 8 per card, with fasteners)
[PL 7940](#) (White – Qty. 8 per card, with fasteners)
[PL 14752](#) (Mill – Qty. 1000 per carton)



Storm Door Panel Clip

Qty: 8 clips, with fasteners.

Aluminum clip and thumbscrew, self-locking, used for attaching a storm window or screen panel to storm door frame.

[PL 7947](#) (Mill – 5/16 in. depth)
[T 8730](#) (Mill – 7/16 in. depth)
[T 8727](#) (White – 5/16 in. depth)
[T 8731](#) (White – 7/16 in. depth)



Storm Door Panel Clip

Qty: 8 clips, with fasteners.

Aluminum clip and thumbscrew, self-locking, used for attaching a storm window or screen panel to storm door frame.

[PL 7949](#) (Mill)



Storm Door Panel Clip

Qty: 8 clips, with fasteners.

Aluminum clip and thumbscrew, self-locking, used for attaching a storm window or screen panel to storm door frame.

[PL 7951](#) (Mill)



Storm Door Panel Clip

Qty: 8 clips, with fasteners.

Aluminum clip and thumbscrew, self-locking, used for attaching a storm window or screen panel to storm door frame.

[PL 7953](#) (Mill)



Storm Door Panel Clip

Qty: 8 clips, with fasteners.

Aluminum clip and thumbscrew, self-locking, used for attaching a storm window or screen panel to storm door frame.

[PL 7959](#) (Mill)

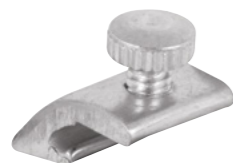


Storm Door Panel Clip

Qty: 8 clips, with fasteners.

Aluminum clip and thumbscrew, self-locking, used for attaching a storm window or screen panel to storm door frame.

[PL 7957](#) (Mill)



Storm Door Panel Clip

Qty: 8 clips, with fasteners.

Aluminum clip and thumbscrew, self-locking.

[PL 7955](#) (Mill)



Storm Door Panel Clip

Steel, flush offset.

[PL 7967](#) (Qty. 6 per card, with fasteners)
[PL 14843](#) (Qty. 25 per tub)
[PL 14844](#) (Qty. 100 per tub)



Storm Door Panel Clip

Tempered steel, spring action, 3/8 in. depth.

[T 8500](#) (Qty. 4 per card, with fasteners)
[PL 15555](#) (Qty. 25 per tub)



Thumbscrew

Qty: 1000 per carton.

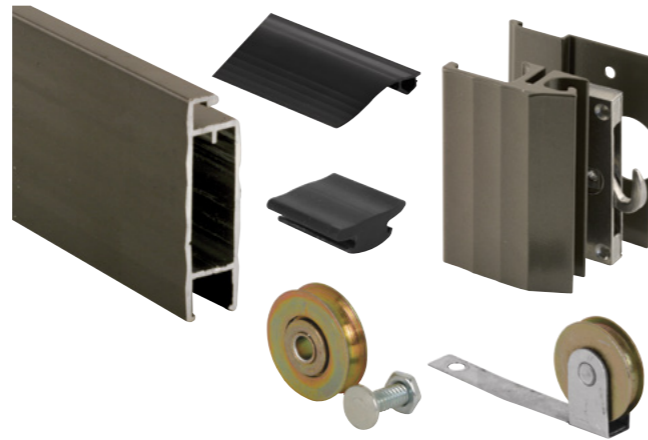
Aluminum, 8-32 thread.

[PL 14770](#) (Mill)

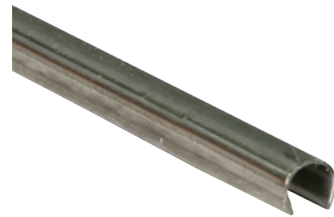
Sliding KD Screen Door Kit

Qty: 1 kit, with fasteners.

1-3/4 in. Extruded aluminum frame, pre-punched for handle and rollers, complete with all necessary rollers and hardware.



Max. Width	Max. Height	Bronze	White
49 in.	81 in.	PL 14372	PL 14378
37 in.	98 in.	—	PL 14380



Patio Door Track Cover

Qty: 12 per tube.

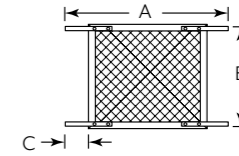
Stainless steel, trim to size, allows patio door to roll smoothly and quietly.

[PL 15576](#) (8 ft.)

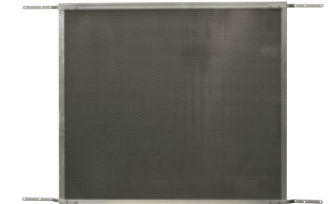
Aluminum Door Grille

Qty: 1 per pack, 6 packs per carton.

Aluminum, for swinging screen doors, grille tips can be easily trimmed, easy installation, helps prevent screen fabric damage, adds strength to entire door.



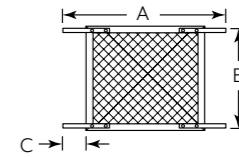
Fits Door Size	Actual Grille Size			Mill	Satin	Bronze	White
	"A"	"B"	"C"				
30 in.	33-1/2 in.	24 in.	4-1/4 in.	PL 15930	PL 15931	PL 15934	PL 15933
32 in.							
36 in.							



Aluminum Door Grille

Qty: 1 per pack, 3 packs per carton.

Aluminum, for sliding screen doors, grille tips can be easily trimmed, easy installation, helps prevent screen fabric damage, adds strength to entire door.



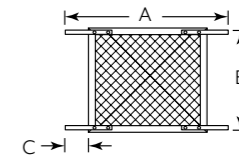
Fits Door Size	Actual Grille Size			Satin	White	Dark Brown
	"A"	"B"	"C"			
36 in.	35-1/8 in.	25-1/8 in.	2-1/2 in.	—	PL 15937	PL 15938
48 in.	47-1/8 in.	25-1/8 in.	2-1/2 in.	PL 15940	PL 15941	PL 15942



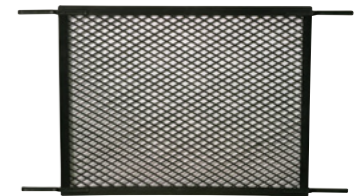
Plastic Door Grille

Qty: 1 per pack, 6 packs per carton.

Plastic, for swinging screen doors, grille tips can be easily trimmed, easy installation, helps prevent screen fabric damage, adds strength to entire door.



Fits Door Size	Actual Grille Size			Gray	Bronze	White	Black
	"A"	"B"	"C"				
30 in. to 36 in.	34-1/2 in.	20 in.	4-1/8 in.	PL 15515	PL 15516	PL 15517	PL 15518



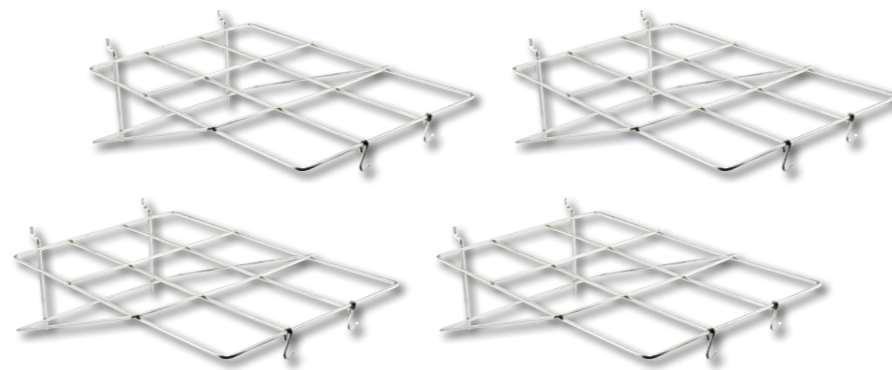
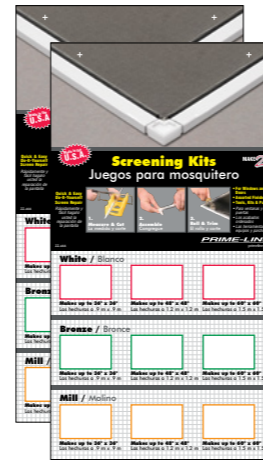
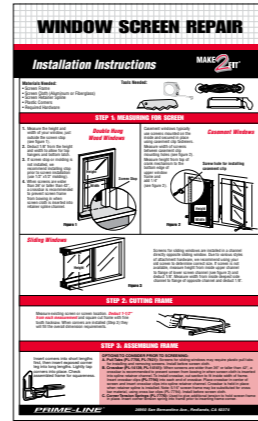
How-To Video: Installing a Screen Door Pet Grille



Banner

Qty: 1
96 in. x 24 in., indoor / outdoor applications,
grommeted holes.

P 8080



Display Rack and Signage

Qty: 1 set.
4 screen frame racks, 1 laminated card (ZZ 11),
2 laminated screen frame signs (ZZ 466)

PL 7798

