



## Who we are



Prime-Line Products has been supplying repair and replacement parts for windows and doors since 1978. Over 40 years of business acumen has led Prime-Line to the top of its trade. The worldwide need for residential maintenance has motivated our company to develop thousands of unique items for our customers. We service the professional trades with repair solutions throughout North America and abroad.

We also provide products to the Do-It-Yourself industry through home centers, hardware stores and lumber yards, with a wide variety of specialized repair parts that fit various individual and regional demands. We currently supply many manufacturers with OEM components that are in wide demand.

### Customer Service

Prime-Line is ready to fulfill any large capacity order, we can take your order from inception to completion in stride. With customer service available from 6 A.M. to 5 P.M. PST every weekday, you'll get the answers you want, when you want them.

### For further information, please contact us directly:

26950 San Bernardino Ave.,  
Redlands, CA 92374

800.255.3505  
[primeline.net](http://primeline.net)

### Our value proposition

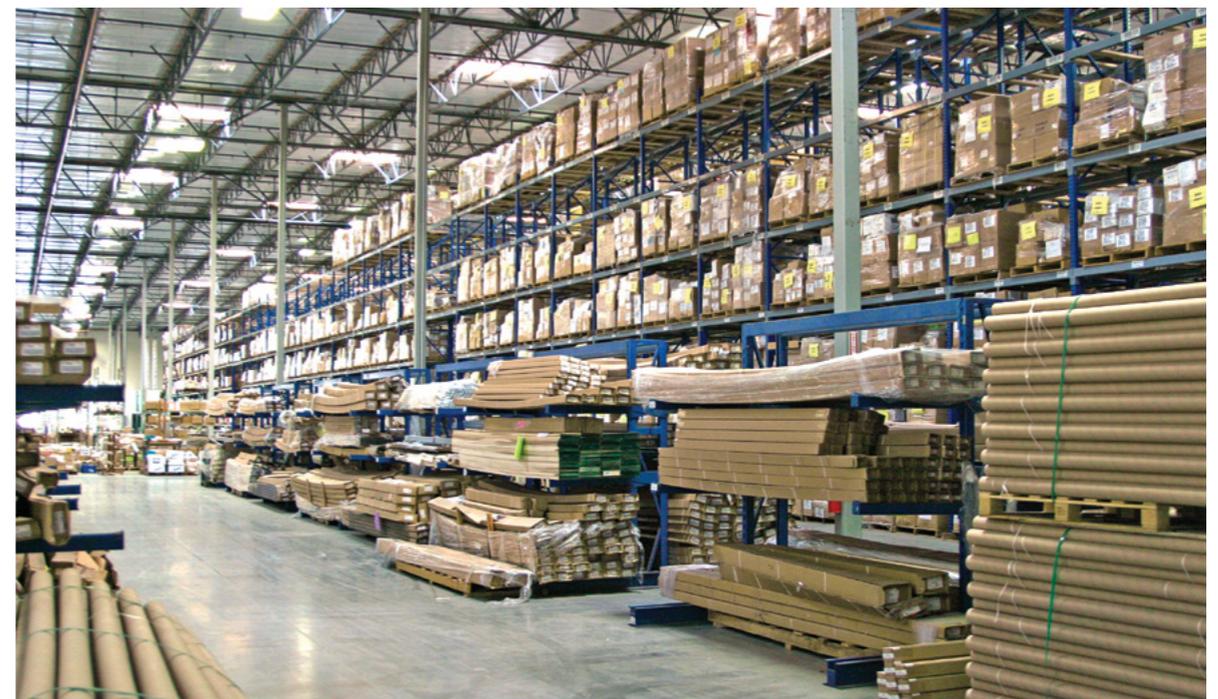
- Extensive product assortment
- Competitive wholesale pricing
- Largest selection of current and hard-to-find hardware
- In stock, ready to ship inventory
- Nationwide coverage
- Outstanding customer service
- Personalized account management
- State of the art ordering systems

### What we offer

- E-business capability
- In-house creative services available
- Shipping nationwide or international
- Engineering capability with 3-D rendering
- 3-D printer model making capability
- QC department and cycle testing
- Multiple roll-forming capabilities
- Metal fabrication shop

### How we can help

- Order fulfillment services include pick, pack and ship
- Order assembly and palletization
- EDI, ASN generation
- Prepacking & promotional packing
- Product storage & warehousing
- Inventory and labeling
- Cross-dock capabilities



# HOME SECURITY

## Hardware



### Choosing the proper security for your home

According to the FBI, a burglary occurs somewhere in the US every 15.4 seconds.

Most burglaries are carried out in less than 10 minutes.

3 out of 4 homes in the US will be broken into within the next 20 years.

22% through a back door    23% through a first floor window

34% through the front door

**Entry Doors:** 67% of all burglaries are initiated by forced entry. A majority of these are accomplished by kicking in a door. Door guard plates and high security strikes work together to help prevent door kick in attacks. A secure metal barrier prevents jimmy tools from destroying jambs and trim as well. Door viewers, chain door guards and bar door guards help keep you safe from strangers when answering your door.

**Windows:** Most windows can easily be forced open by prying or lifting the sash. Secondary security locks can allow for ventilation, help prevent unwanted access and offer child safety benefits. A wide variety of styles offer the homeowner everything from tamper-resistant window locks to keyed locks, assuring solid, safe child protection as well.

**Patio Doors:** A favorite entry point for many burglars. Many door systems can be lifted or pried open easily. Adding a security bar or secondary locking bolt provides another layer of protection for your family that will help secure your home.

**Cabinet and Drawers:** Keep dangerous chemicals and important items locked up for safety and peace of mind. Cam locks; panel locks and mailbox locks can provide a security in these overlooked areas. Useful in the home or garage, these devices are also easily installed.



U 9549  
Door Guard



U 9909  
Chain Door Lock



U 9801  
Window Lock



U 9933  
Window Lock



U 9858  
Patio Door Lock



U 9882  
Patio Door Lock



U 11088  
Drawer & Cabinet Lock



We've made it simple to choose the security device that best suits your needs. Be it entry, patio, window or utility, Prime-Line has you covered.

## Section Table of Contents

[How To Use The Catalog](#)

[Latchshields](#)

[Cylinder Locks](#)

[Patio Door Locks](#)

[Deadlatch/Deadlocks](#)

[Segal Locks](#)

[Door Reinforcers](#)

[Strikes](#)

[Door Viewers](#)

[Window Guards](#)

[Drawer/Mailbox Locks](#)

[Window Locks](#)

[Entry Door Locks](#)

Get the most out of your interactive catalog



Qty: 1 set, 2 keys, with fasteners.

Steel trim plates and case, glass knobs with steel base, keyed, interior use only.

- [E 2311](#) (Brass)
- [E 2497](#) (Classic bronze)
- [E 2496](#) (Satin nickel)

Clickable hyperlink launches internet browser, opening a new web page that redirects to the product page on the Prime-Line website.

Toggle between photo and dimensioned line drawing of product.

Additional product specifications.

Embedded installation instructional video.\*

Installation instructions.\*

Where to buy the product.

\*Product page may not have this feature.

**E 2496 - Satin Nickel Plated Glass Knob Mortise Lock Set**

**DESCRIPTION**  
Glass knobs with satin nickel finish on case-hardened steel. Lock bolt is key activated both inside and outside. Latch bolt is reversible for right or left hand installations. Spare keys are available through special order. NOTE: These lock sets are for interior use only.

- ◆ Cast Steel Construction
- ◆ Satin Nickel Finish
- ◆ Glass Knobs
- ◆ Easy to Install

**Specifications**

Brand:	Defender Security
Material:	Glass & Steel
Finish:	Plated
Color:	Satin Nickel
Position of Keyway:	Skeleton
Backset:	2-3/8"

How-To Video English Embed:

Documents: E 2496-INS.PDF

**WHERE TO BUY**

Shop. Learn. Improve. amazon.com

**PRIME-LINE**  
26950 San Bernardino Ave Redlands, CA 92374  
800.255.3505

PRODUCT CATEGORIES | WHERE TO BUY | CATALOGS | HOW-TOS | ABOUT PRIME-LINE | PRODUCT RECALLS | SAFETY DATA SHEETS | CA PROPOSITION 65 | PRIVACY POLICY | CONTACT US | CAREERS | WARRANTY | SITEMAP

Descriptive title.

In depth product description.

Additional bullet points.

## Latch Strikes

Steel, adjustable tab, 1-5/8 in. hole spacing.

- [E 2232](#) (Brass finish – Qty. 2, with fasteners)
- [E 2307](#) (Brass finish – Qty. 1, with fasteners)
- [E 2349](#) (Brass finish – Qty. 20, with fasteners, per box)
- [E 2233](#) (Antique brass finish – Qty. 2, with fasteners)
- [E 2308](#) (Antique brass finish – Qty. 1, with fasteners)
- [E 2234](#) (Chrome finish – Qty. 2, with fasteners)
- [E 2309](#) (Chrome finish – Qty. 1, with fasteners)
- [E 2301](#) (Stainless steel finish – Qty. 2, with fasteners)
- [E 2457](#) (Satin nickel finish – Qty. 2, with fasteners)



- [E 2456](#) (Satin nickel finish – Qty. 1, with fasteners)
- [E 2516](#) (Classic bronze finish – Qty. 2, with fasteners)
- [E 2793](#) (Matte black finish – Qty. 2, with fasteners)



- Qty: 1, with fasteners.
- Adjustable tab, 1-5/8 in. hole spacing.
- [E 2347](#) (Brass finish – 2-1/2 in. overall length)
  - [E 2345](#) (Solid brass – 3-1/2 in. overall length)



- Qty: 1 set, with fasteners.
- Steel, adjustable, 3 pieces, 2-1/8 in. hole spacing.
- [U 9486](#) (Brass finish)
  - [U 9488](#) (Chrome finish)



- Qty: 1 set, with fasteners.
- Steel, adjustable, 2 pieces, 2-1/8 in. hole spacing.
- [U 10278](#) (Chrome finish)



- Qty: 1 set, with fasteners.
- Steel, adjustable, 3 pieces, 4-1/16 in. hole spacing.
- [U 9495](#) (Brass finish)



- Qty: 1, with fasteners.
- Steel, 2-1/8 in. hole spacing.
- [E 2467](#) (Brass finish)
  - [E 2433](#) (Chrome finish)
  - [E 2484](#) (Satin nickel finish)
  - [E 2788](#) (Classic bronze finish)
  - [E 2795](#) (Matte black finish)



- Qty: 1, with fasteners.
- Solid brass, 2-1/8 in. hole spacing, meets ANSI A156.2.
- [E 2284](#) (Polished brass)
  - [E 2299](#) (Stainless steel)
  - [E 2568](#) (Classic bronze)



- Qty: 1, with fasteners.
- Steel, fits ANSI cut-out, 4-3/16 in. hole spacing.
- [U 9428](#) (Brass finish)
  - [U 9429](#) (Chrome finish)
  - [U 11199](#) (Satin nickel finish)
  - [U 11200](#) (Classic bronze finish)



- Qty: 1, with fasteners.
- Fits ANSI cut-out (meets ANSI A156.2), 4-3/16 in. hole spacing.
- [U 9484](#) (Solid polished brass)
  - [U 9483](#) (Stainless steel)
  - [U 11450](#) (Stainless steel, matte black finish)



- Qty: 1, with fasteners.
- Steel, improves security with 3 in. long screws attaching to wall stud.
- [U 9422](#) (Brass)
  - [U 9424](#) (Antique brass)
  - [U 9474](#) (Chrome)



- Qty: 1 set, with fasteners.
- Steel, allows hole center flexibility with deadbolt and entry lock installations, improves security with 3 in. long screws attaching to wall stud.
- [U 9989](#) (Brass finish)
  - [U 11041](#) (Satin nickel finish)
  - [U 11158](#) (Classic bronze finish)

## Latch Strikes



Qty: 1, with fasteners.  
Steel, 1-1/2 in. deadbolt and latch hole spacing.  
**E 2435** (Brass finish)



Qty: 1, with fasteners.  
Steel, 2-3/8 in. and 4-13/16 in. hole spacings, improves security with 3 in. long screws attaching to wall stud.  
**U 9426** (Brass finish)    **U 9476** (Chrome finish)



Qty: 1, with fasteners.  
Steel, improves security with 3 in. long screws attaching to wall stud.  
**U 9427** (Brass finish – 3-5/8 in. to 4 in. latch hole spacing)  
**U 9480** (Brass finish – 5-1/2 in. to 6 in. latch hole spacing)  
**U 10385** (Satin nickel finish – 5-1/2 in. to 6 in. latch hole spacing)  
**U 10538** (Classic bronze finish – 5-1/2 in. to 6 in. latch hole spacing)  
**U 11452** (Matte black finish – 5-1/2 in. to 6 in. latch hole spacing)



Qty: 1 set, with fasteners.  
1/8 in. thick heavy gauge steel base, 2-1/8 in. hole spacing, improves security with 3 in. long screws attaching to wall stud.  
**E 2479** (Brass finish)    **E 2482** (Classic bronze finish)  
**E 2480** (Antique brass finish)    **E 2688** (Stainless steel)  
**E 2483** (Satin nickel finish)    **E 2796** (Matte black finish)



Qty: 1, with fasteners.  
Steel, improves security with 3 in. long screws attaching to wall stud.  
**E 2235** (Brass finish)    **E 2461** (Satin nickel finish)  
**E 2285** (Antique brass finish)    **E 2462** (Classic bronze finish)  
**E 2292** (Nickel finish)    **E 2687** (Stainless steel)



Qty: 1, with fasteners.  
Steel, improves security with 3 in. long screws attaching to wall stud.  
**E 2432** (Brass finish)



Qty: 1, with fasteners.  
Steel, improves security with 3 in. long screws attaching to wall stud.  
**U 9535** (Brass finish)    **U 11123** (Classic bronze finish)  
**U 11122** (Satin nickel finish)



Qty: 1, with fasteners.  
Steel, improves security with 3 in. long screws attaching to wall stud.  
**U 9425** (Brass finish)



Qty: 1 set, with fasteners.  
Zinc and steel strike and face plate, screws at base of box secure to framing for added security.  
**U 9539** (Brass finish)



Qty: 1 set, with fasteners.  
Repairs problem latch that “misses the hole” when doors sag or settle. Includes 1 shim and strike for standard interior door (1-3/8 in.) and 1 shim and strike for standard exterior doors (1-3/4 in.).  
**FAL2BR** (Brass finish)    **FAL2SN** (Satin nickel finish)  
**FAL2BZ** (Bronze finish)



## Door Reinforcers

Qty: 1, with fasteners.

Solid brass or stainless steel, non-recessed, reinforces and repairs doors, assists in preventing forced entry, use on wood or metal doors, accommodates key-in-knob locksets or deadbolts.

**U 9547**

Finish	Backset	Door Thickness	Reinforcer Width
Brass	2-3/8 in.	<b>1-3/8 in.</b>	3-7/8 in.

**U 9548**

Brass	2-3/8 in.	<b>1-3/4 in.</b>	3-7/8 in.
-------	-----------	------------------	-----------

**U 9549**

Brass	<b>2-3/4 in.</b>	<b>1-3/8 in.</b>	4-5/16 in.
-------	------------------	------------------	------------

**U 9550**

Brass	<b>2-3/4 in.</b>	<b>1-3/4 in.</b>	4-5/16 in.
-------	------------------	------------------	------------

**U 9568**

Antique brass	2-3/8 in.	<b>1-3/8 in.</b>	3-7/8 in.
---------------	-----------	------------------	-----------

**U 9569**

Antique brass	2-3/8 in.	<b>1-3/4 in.</b>	3-7/8 in.
---------------	-----------	------------------	-----------

**U 9585**

Stainless steel	2-3/8 in.	<b>1-3/8 in.</b>	3-7/8 in.
-----------------	-----------	------------------	-----------

**U 9586**

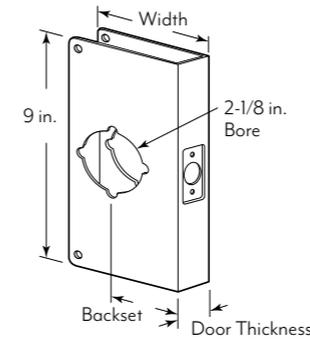
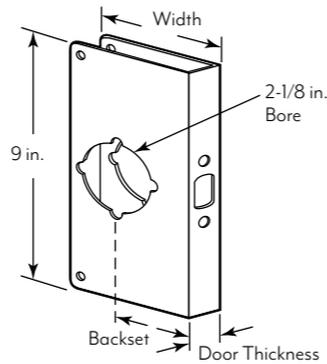
Stainless steel	2-3/8 in.	<b>1-3/4 in.</b>	3-7/8 in.
-----------------	-----------	------------------	-----------

**U 9587**

Stainless steel	<b>2-3/4 in.</b>	<b>1-3/8 in.</b>	4-5/16 in.
-----------------	------------------	------------------	------------

**U 9588**

Stainless steel	<b>2-3/4 in.</b>	<b>1-3/4 in.</b>	4-5/16 in.
-----------------	------------------	------------------	------------



Qty: 1, with fasteners.

Solid brass or stainless steel, recessed, reinforces and repairs doors, assists in preventing forced entry, use on wood or metal doors, accommodates key-in-knob locksets or deadbolts.

**U 9540**

Finish	Backset	Door Thickness	Reinforcer Width
Brass	2-3/8 in.	<b>1-3/8 in.</b>	3-7/8 in.

**U 9541**

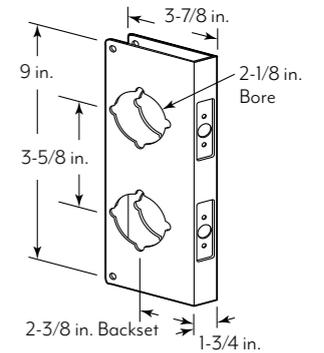
Brass	2-3/8 in.	<b>1-3/4 in.</b>	3-7/8 in.
-------	-----------	------------------	-----------

**U 9551**

Stainless steel	2-3/8 in.	<b>1-3/4 in.</b>	3-7/8 in.
-----------------	-----------	------------------	-----------

**U 9552**

Stainless steel	<b>2-3/4 in.</b>	<b>1-3/4 in.</b>	4-5/16 in.
-----------------	------------------	------------------	------------



Qty: 1, with fasteners.

Solid brass, recessed, reinforces and repairs doors, assists in preventing forced entry, use on wood or metal doors, accommodates key-in-knob locksets or deadbolts.

**U 9546** (Brass)

**U 9559**

Finish	Bore	Backset	Hole Spacing	Door Thickness	Reinforcer Width	Reinforcer Height
Brass	2-1/8 in.	2-3/8 in.	3-5/8 in.	<b>1-3/8 in.</b>	3-7/8 in.	9 in.

**U 9560**

Brass	2-1/8 in.	2-3/8 in.	3-5/8 in.	<b>1-3/4 in.</b>	3-7/8 in.	9 in.
-------	-----------	-----------	-----------	------------------	-----------	-------

**U 9537**

Brass	2-1/8 in.	2-3/8 in.	5-1/2 in.	<b>1-3/4 in.</b>	3-7/8 in.	10-7/8 in.
-------	-----------	-----------	-----------	------------------	-----------	------------

**U 9931**

Brass	1-1/2 in. & 2-1/8 in.	<b>2-3/4 in.</b>	5-1/2 in.	<b>1-3/4 in.</b>	4-5/16 in.	10-7/8 in.
-------	-----------------------	------------------	-----------	------------------	------------	------------

**U 9479**

Brass	2-1/8 in.	<b>2-3/4 in.</b>	5-1/2 in.	<b>1-3/4 in.</b>	4-5/16 in.	10-7/8 in.
-------	-----------	------------------	-----------	------------------	------------	------------

**U 9977**

Brass	1-1/2 in. & 2-1/8 in.	<b>2-3/4 in.</b>	6 in.	<b>1-3/4 in.</b>	4-5/16 in.	10-7/8 in.
-------	-----------------------	------------------	-------	------------------	------------	------------

**U 9577**

Antique brass	2-1/8 in.	2-3/8 in.	3-5/8 in.	<b>1-3/4 in.</b>	3-7/8 in.	9 in.
---------------	-----------	-----------	-----------	------------------	-----------	-------

**U 9595**

Stainless steel	2-1/8 in.	<b>2-3/4 in.</b>	3-5/8 in.	<b>1-3/4 in.</b>	4-5/16 in.	9 in.
-----------------	-----------	------------------	-----------	------------------	------------	-------

**U 10539**

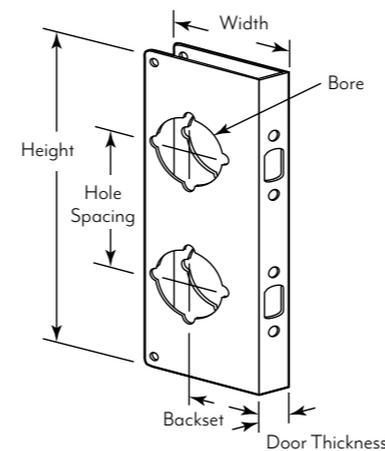
Stainless steel	2-1/8 in.	2-3/8 in.	5-1/2 in.	<b>1-3/4 in.</b>	3-7/8 in.	10-7/8 in.
-----------------	-----------	-----------	-----------	------------------	-----------	------------

**U 10546**

Stainless steel	2-1/8 in.	<b>2-3/4 in.</b>	5-1/2 in.	<b>1-3/4 in.</b>	4-5/16 in.	10-7/8 in.
-----------------	-----------	------------------	-----------	------------------	------------	------------

**U 10750**

Classic bronze	2-1/8 in.	2-3/8 in.	5-1/2 in.	<b>1-3/4 in.</b>	3-7/8 in.	10-7/8 in.
----------------	-----------	-----------	-----------	------------------	-----------	------------



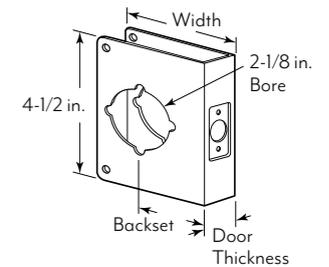
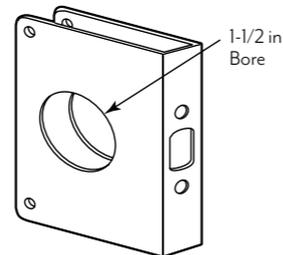
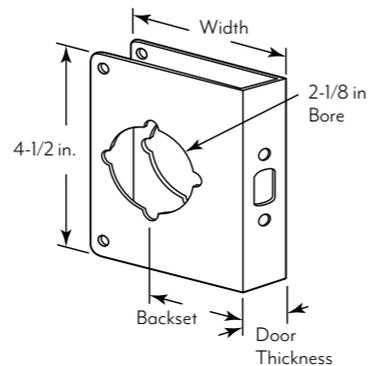
Qty: 1, with fasteners.

Solid brass or stainless steel, non-recessed, reinforces and repairs doors, assists in preventing forced entry, use on wood or metal doors, accommodates key-in-knob locksets or deadbolts.

Qty: 1, with fasteners.

Solid brass or stainless steel, non-recessed, reinforces and repairs doors, assists in preventing forced entry, use on wood or metal doors, accommodates key-in-knob locksets or deadbolts.

	Finish	Bore	Backset	Door Thickness	Reinforcer Width
<a href="#">U 9565</a>	Brass	<b>1-1/2 in.</b>	2-3/8 in.	<b>1-3/4 in.</b>	3-7/8 in.
<a href="#">U 9978</a>	Brass	<b>1-1/2 in.</b>	<b>2-3/4 in.</b>	<b>1-3/4 in.</b>	4-5/16 in.
<a href="#">U 9555</a>	Brass	2-1/8 in.	2-3/8 in.	<b>1-3/8 in.</b>	3-7/8 in.
<a href="#">U 9556</a>	Brass	2-1/8 in.	2-3/8 in.	<b>1-3/4 in.</b>	3-7/8 in.
<a href="#">U 9558</a>	Brass	2-1/8 in.	<b>2-3/4 in.</b>	<b>1-3/4 in.</b>	4-5/16 in.
<a href="#">U 9572</a>	Antique brass	2-1/8 in.	2-3/8 in.	<b>1-3/8 in.</b>	3-7/8 in.
<a href="#">U 9573</a>	Antique brass	2-1/8 in.	2-3/8 in.	<b>1-3/4 in.</b>	3-7/8 in.
<a href="#">U 9575</a>	Antique brass	2-1/8 in.	<b>2-3/4 in.</b>	<b>1-3/4 in.</b>	4-5/16 in.
<a href="#">U 9589</a>	Stainless steel	2-1/8 in.	2-3/8 in.	<b>1-3/8 in.</b>	3-7/8 in.
<a href="#">U 9590</a>	Stainless steel	2-1/8 in.	2-3/8 in.	<b>1-3/4 in.</b>	3-7/8 in.
<a href="#">U 9592</a>	Stainless steel	2-1/8 in.	<b>2-3/4 in.</b>	<b>1-3/4 in.</b>	4-5/16 in.
<a href="#">U 10744</a>	Classic bronze	2-1/8 in.	2-3/8 in.	<b>1-3/8 in.</b>	3-7/8 in.
<a href="#">U 10745</a>	Classic bronze	2-1/8 in.	2-3/8 in.	<b>1-3/4 in.</b>	3-7/8 in.



[U 9543](#)

Finish	Backset	Door Thickness	Reinforcer Width
Brass	2-3/8 in.	<b>1-3/8 in.</b>	3-7/8 in.
Brass	2-3/8 in.	<b>1-3/4 in.</b>	3-7/8 in.
Stainless steel	2-3/8 in.	<b>1-3/4 in.</b>	3-7/8 in.
Stainless steel	<b>2-3/4 in.</b>	<b>1-3/4 in.</b>	4-5/16 in.

[U 9544](#)

[U 9553](#)

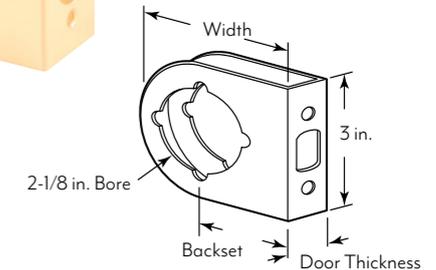
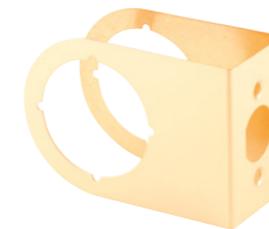
[U 9554](#)

Qty: 1, with fasteners.

Solid brass or stainless steel, recessed, reinforces and repairs doors, assists in preventing forced entry, use on wood or metal doors, accommodates key-in-knob locksets or deadbolts.

Qty: 1, with fasteners.

Solid brass, non-recessed, reinforces and repairs doors, assists in preventing forced entry, use on wood or metal doors, accommodates key-in-knob locksets or deadbolts.



[U 10260](#)

Finish	Backset	Door Thickness	Reinforcer Width
Brass	2-3/8 in.	<b>1-3/8 in.</b>	3-7/8 in.
Brass	2-3/8 in.	<b>1-3/4 in.</b>	3-7/8 in.

[U 10261](#)



Qty: 1, with fasteners.

Non-recessed, covers unsightly holes and damage, for 1-3/4 in. thick doors.

[U 9492](#) (Stainless steel)

Qty: 1, with fasteners.

Solid brass or stainless steel, non-recessed, reinforces and repairs doors, assists in preventing forced entry, use on wood or metal doors, accommodates key-in-knob locksets or deadbolts.

	Finish	Door Thickness
<a href="#">U 9566</a>	Brass	<b>1-3/8 in.</b>
<a href="#">U 9567</a>	Brass	<b>1-3/4 in.</b>
<a href="#">U 9976</a>	Stainless steel	<b>1-3/4 in.</b>



Qty: 1, with fasteners.

Extruded aluminum, used on inswing or outswing doors.

[U 9481](#) (Aluminum anodized) [U 9482](#) (Gold anodized)





Qty: 1 set, with fasteners.

Heavy gauge steel, wraps around existing door jamb, repairs broken or splintered jambs, white powder coated finish.

**U 10893** (2-3/8 in. Backset – 1-3/4 in. thick doors)

**U 10895** (2-3/4 in. Backset – 1-3/4 in. thick doors)

**U 10902** (Plate only – 1-3/8 in. thick doors, 36 in. long)



Qty: 1 set, with fasteners.

Heavy gauge steel, dual plate design, repairs broken or splintered jambs, powder coated finish.

**U 11026** (White)



Qty: 1, with fasteners.

Steel, used on outswing doors, fits rim cylinder night locks.

**U 10378** (Brass finish)



6 in. long



12 in. long

Qty: 1 set, with fasteners.

Steel, used on inswing doors, interlocking brackets, for use on wood or metal doors.

**U 9511** (Painted gray – 6 in.)

**U 9512** (Brass finish – 6 in.)

**U 9513** (Painted gray – 12 in.)

**U 9514** (Brass finish – 12 in.)



Qty: 1, with fasteners.

Steel, for commercial aluminum entrance doors, 12 in. long.

**U 9507** (Painted gray)



Qty: 1, with fasteners.

Steel, used on outswing doors, for use on 1-3/4 in. thick doors.

**U 9509** (Painted gray)

**U 10676** (Stainless steel)

**U 9510** (Brass finish)



7 in. long

Qty: 1, with fasteners.

Steel, used on outswing doors, for use on 1-3/4 in. thick doors.

**U 9500** (Painted gray – 7 in.)

**U 9501** (Painted bronze – 7 in.)

**U 9502** (Brass finish – 7 in.)

**U 9496** (Stainless steel – 7 in.)

**U 9503** (Painted gray – 11 in.)

**U 9504** (Painted bronze – 11 in.)

**U 10027** (Brass finish – 11 in.)



11 in. long

## Latch Shields, Adaptor Rings, Cover Plates & Window Locks



Qty: 1, with fasteners.

Steel, fills latch face cut-outs.

- [U 9520](#) (1 in. wide – Painted gray)
- [U 9521](#) (1-1/8 in. wide – Painted gray)
- [U 9497](#) (1-1/8 in. wide – Brass finish)
- [U 10678](#) (1-1/8 in. wide – Stainless steel)



Qty: 1 set.

Steel, reduces 2-1/8 in. bore to 1-1/2 in.

- [U 9529](#) (Brass finish)



Qty: 1 set, with fasteners.

Steel, 2-5/8 in. O.D., covers 1/2 in. to 2-1/8 in. holes, fits doors up to 1-3/4 in. thick.

- |  |   |
|--|---|
| <a href="#">U 9515</a> (Painted gray)          | <a href="#">U 10677</a> (Stainless steel)     |
| <a href="#">U 9516</a> (Brass finish)          | <a href="#">U 10446</a> (Satin nickel finish) |
| <a href="#">U 9531</a> (Chrome finish)         | <a href="#">U 10889</a> (Classic bronze)      |
| <a href="#">U 10888</a> (Antique brass finish) | <a href="#">U 11453</a> (Matte black finish)  |



Qty: 2

Steel, allows conversion of 2-3/8 in. to 2-3/4 in. backset (or 2-3/4 in. to 2-3/8 in.)

- |   |  |
|---|--|
| <a href="#">U 9524</a> (Brass finish)         | <a href="#">U 10322</a> (Satin nickel)   |
| <a href="#">U 9498</a> (Antique brass finish) | <a href="#">U 10323</a> (Classic bronze) |
| <a href="#">U 9517</a> (Chrome finish)        |  |



Qty: 2

Extruded aluminum, steel screw.

- [U 9800](#) (Aluminum)   [U 9801](#) (Black)   [U 9802](#) (White)



Wrench

Qty: 2, with wrench.

Extruded aluminum lock, steel screw, plastic tightening wrench.

- [U 11127](#) (Aluminum)   [U 11128](#) (White)



Extruded aluminum lock, steel screw.

- [U 9980](#) (Aluminum – Qty. 2)
- [U 9819](#) (Aluminum – Qty. 4)
- [U 10806](#) (Aluminum – Qty. 1 per bag – 100 per box)
- [U 9982](#) (White – Qty. 2)
- [U 9823](#) (White – Qty. 4)



Qty: 2

Extruded aluminum, vinyl insert protects track.

- [U 10551](#) (Aluminum)



Qty: 2

Extruded aluminum, vinyl insert protects track.

- [U 9820](#) (Aluminum)   [U 9821](#) (White)



Qty: 2, with wrench.

Extruded aluminum lock, steel hex screw, steel tightening wrench.

- [U 9810](#) (Aluminum)   [S 4033](#) (Black)   [U 9812](#) (White)



Qty: 2

Zinc diecast, adjustable, for vinyl windows, locks in 3 positions.

- [U 9809](#) (White)



Qty: 1

Extruded aluminum, cam action.

- [U 9824](#) (Aluminum)   [U 9825](#) (White)



Qty: 1, with 2 keys.  
Diecast, keyed.  
**U 9839** (Black)



Qty: 1  
Extruded aluminum, reversible, anti-lift out bar.  
**U 9833** (Aluminum)    **U 9835** (White)



Qty: 1, with fasteners.  
Plastic body, steel bolt, 7/8 in. projection, 2-1/2 in. hole spacing.  
**U 9831** (White)



Qty: 8 pins and 4 keys.  
Steel pin with removal key, resists tampering if glass is broken.  
**U 9845** (Brass finish)



Qty: 1 lock, 2 keys, with fasteners.  
Diecast body, hardened steel bolt, keyed, 1-5/16 in. hole spacing.  
**U 9863** (Brass finish)



Qty: 1 set, with fasteners.  
Stamped steel, cam action, 1-3/4 in. hole spacing.  
**U 9924** (Brass finish)    **U 9925** (White)  
**U 11062** (Satin nickel finish)



Qty: 1 set, 2 keys, with fasteners.  
Heavy zinc diecast, cam action, keyed, 2 in. hole spacing.  
**U 9927** (Brass finish)    **U 9928** (White)



Qty: 1 set, 2 keys, with fasteners.  
Diecast, cam action, keyed, 2-1/4 in. hole spacing.  
**U 9933** (White)



Qty: 1 set, 2 keys, with fasteners.  
Diecast, cam action, lever release feature, 1-3/4 in. hole spacing.  
**U 10670** (White)



Qty: 1 set, with fasteners.  
Diecast, 3 different keepers.  
**U 9935** (Brass finish)    **U 9936** (White)



Qty: 2, with fasteners.  
Plated steel, 7/16 in. projection, flip action.  
**U 9938** (Brass finish)    **U 10683** (Stainless steel)  
**U 9929** (Antique brass finish)



Qty: 1, with fasteners.  
Plated steel, 5/8 in. projection, flip action.  
**U 9926** (Brass finish)



Qty: 2 sets, with fasteners.  
Plated steel, 3/8 in. projection, 1 in. hole spacing.  
**U 9939** (Brass finish)



Qty: 1 set, with fastener.  
Steel pin with chain and holder, 1/8 in. O.D., 1-5/16 in. length.  
**U 9857** (Chrome finish)



Qty: 2, with fasteners.  
Plastic, flip action, 2-1/4 in. hole spacing.  
**S 4600** (White)



Qty: 1, with wrench.  
Extruded aluminum lock, steel hex screws, steel tightening wrench.  
**U 9815** (Aluminum) **S 4035** (Black) **U 9817** (White)



Qty: 1 set, with fasteners.  
Secondary patio door lock, 2 latches, prevents door from being lifted out of track.  
**U 11037**



Qty: 1  
Extruded aluminum housing, double thumbscrew.  
**U 9805** (Aluminum) **U 9807** (White)



Qty: 1  
Extruded aluminum housing, double thumbscrew.  
**U 10679** (Aluminum)



Qty: 1  
Zinc diecast, adjustable, for vinyl patio door, locks in 3 positions.  
**U 10547** (White)



Qty: 1 lock, 2 keys, with fasteners.  
Diecast body, zinc bolt, keyed, 1-5/16 in. hole spacing.  
**U 9861** (Aluminum finish) **U 9862** (White)  
**S 4005** (Black)



Qty: 1 lock, 2 keys, with fasteners.  
Diecast housing, steel bolt, keyed, 1-3/8 in. hole spacing.  
**U 9870** (Aluminum finish)



Qty: 1, with fasteners.  
Diecast housing, steel bolt.  
**U 9866** (Aluminum finish)    **U 9867** (White)



Qty: 1, with fasteners.  
Zamak cast housing, aluminum bolt, twist action, 1-5/8 in. hole spacing.  
**U 9848** (Zinc)    **U 9849** (Black)    **U 9850** (White)



Qty: 1, with fasteners.  
Steel housing with hardened steel pin, 2 position push/pull action, 1/2 in. projection.  
**U 9853** (Aluminum finish)    **U 9855** (White)



Qty: 1, with fasteners.  
Diecast housing, steel bolt, reversible.  
**U 9874** (White)



Qty: 1, with fasteners.  
Diecast housing, hardened steel bolt, foot operation, 5/8 in. projection, 5/8 in. hole spacing.  
**U 9877** (Aluminum finish)    **U 9879** (White)  
**S 4041** (Black)



Qty: 1 lock, 2 keys, with fasteners.  
Diecast housing, zinc bolt, foot operation, 3/4 in. projection.  
**U 9882** (Aluminum finish)    **U 9884** (White)



Qty: 1, with fasteners.  
Plastic body, steel bolt, foot operation.  
**U 9869** (White)



Qty: 1, with fasteners.  
Plastic body, steel bolt, foot operation, 2-1/4 in. hole spacing.  
**U 9865** (White)



Qty: 1, with fasteners.  
Plastic body, steel bolt, 13/16 in. projection.  
**U 9868** (White)



Qty: 1 set, with fasteners.  
Steel pin with chain and holder, 3/16 in. O.D., 2-3/8 in. length.  
**U 9858** (Chrome)



Qty: 1 set, with fasteners.  
Steel pin with chain and holder, spring loaded steel ball, 1/4 in. O.D., 2-3/4 in. length.  
**S 4066** (Chrome)



Qty: 1 lock, 2 keys, with fasteners.  
Diecast body, steel bolt, keyed, 1-1/2 in. projection.  
**U 9997** (Aluminum finish)    **U 9919** (White)



Right hand  
Qty: 1 set, with fasteners.  
Hardened steel rod, diecast bracket and keeper.  
**U 10537** (Nickel finish – Left hand)  
**U 10536** (Nickel finish – Right hand)



Qty: 1 set, with fasteners.  
Hardened steel rod, diecast bracket and keeper.  
**U 9846** (Chrome – 1-1/8 in.)  
**S 4378** (Chrome – 1-7/16 in.)  
**U 9847** (Chrome – 2-1/8 in.)  
**S 4380** (Stainless steel – 13/16 in.)  
**S 4382** (Stainless steel – 1-7/16 in.)



Qty: 2  
Clear lucite, 2 piece hinged assembly, adhesive backed.  
**U 9842** (Clear finish)



Qty: 1 set, with fasteners.  
Aluminum bar, accommodates 28 in. to 48 in. wide inside/ outside patio doors.  
**U 9920** (Aluminum)    **U 9921** (White)



Qty: 1 set, 1 key, with fasteners.  
Extruded aluminum bar, stamped steel retainer, plastic retainer with key.  
**S 4405** (Aluminum – 4 ft. bar – Qty. 50)  
**S 4154** (Bronze – 4 ft. bar)  
**S 4220** (White – 4 ft. bar)



Qty: 1 set, with fasteners.  
Steel chain and keepers.  
**U 9905** (Brass finish)    **U 10386** (Satin nickel finish)  
**U 10533** (Antique brass finish)    **U 11201** (Classic bronze finish)



Qty: 1 set, with fasteners.  
Steel chain, solid brass keepers.  
**U 9907** (Brass finish)    **U 10304** (Satin nickel finish)  
**U 9913** (Antique brass finish)    **U 10305** (Classic bronze finish)  
**U 9909** (Satin chrome finish)    **U 11444** (Matte black finish)



Qty: 1 set, with fasteners.  
Steel chain and keepers.  
**U 9852** (White)



Qty: 1 set, with fasteners.  
With sliding bolt.  
**U 9911** (Solid brass)



Qty: 1 set, 2 keys, with fasteners.  
Steel chain and keepers, keyed.  
**U 9912** (Brass finish)    **U 11093** (Satin nickel finish)  
**U 9914** (Antique brass finish)    **U 9872** (White)



Qty: 1 set, with fasteners.

Solid brass slide bolt, surface and mortise mount keepers.

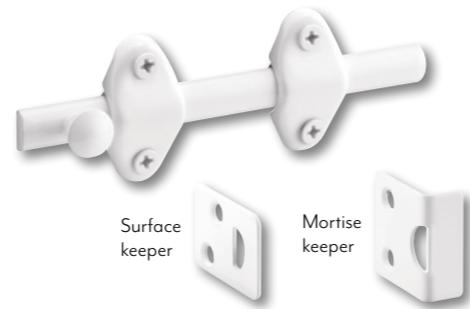
**U 9962** (Brass – 3 in.)

**U 10306** (Satin nickel – 4 in.)

**U 9961** (Brass – 4 in.)

**U 11448** (Matte black – 4 in.)

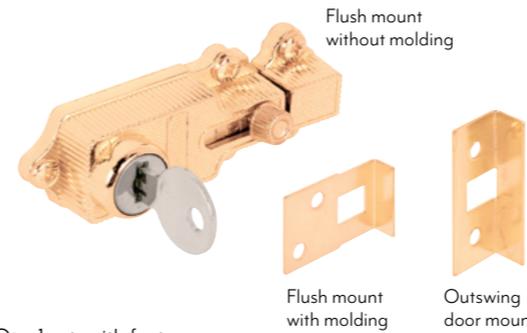
**U 10307** (Classic bronze – 4 in.)



Qty: 1 set, with fasteners.

Steel slide bolt with guide brackets, surface and mortise keepers.

**U 10267** (White)



Qty: 1 set, with fasteners.

Diecast housing, spring loaded, keyed, 2-1/8 in. hole spacing, 3 keepers.

**U 9885** (Brass finish)



**Meets Texas building code requirements**

Qty: 1 set, with fasteners.

Steel, meets Texas building code requirements.

**U 10819** (Chrome) **U 9493** (White) **U 9494** (Gold)



**Meets Texas building code requirements**

Qty: 1, with fasteners.

Aluminum, designed to withstand 800 lbs. of force, meets Texas building code requirements, tamper resistant.

**U 11442** (Brass finish)

**U 11441** (Red bronze)

**U 10826** (Gold anodized)

**U 11325** (Brushed chrome)

**U 10827** (Satin nickel)

**U 11449** (Matte black finish)

**U 11126** (Bronze anodized)



Qty: 1, with fasteners.

Steel, flip action.

**U 9887** (Brass finish)

**U 10321** (Classic bronze finish)

**U 9873** (Antique brass finish)

**U 9888** (White)

**U 10319** (Satin nickel finish)



Qty: 5

Adhesive backed.

**S 4215** (Brushed stainless)



Qty: 1 set, with fasteners.

Cast high pressure zamak, defeats lock picking tool by not allowing door to be opened when thumbturn lock is engaged, 3-7/8 in. bar length.

**U 11315** (Brass finish)

**U 11317** (Classic bronze finish)

**U 11318** (Chrome finish)

**U 11447** (Matte black finish)

**U 11316** (Satin nickel finish)



Qty: 1 set, with fasteners.

Heavy metal casting, (2) 1/16 in. door side riser shims, 3-7/8 in. bar length.

**U 9897** (Brass finish)

**U 10308** (Satin nickel finish)

**U 9899** (Antique brass finish)

**U 10309** (Classic bronze finish)

**U 9900** (Chrome finish)

**U 9902** (White)

**U 9901** (Brushed chrome finish)

**U 11446** (Matte black finish)



Qty: 1 set, with fasteners.

Cast brass, with door edge guard, 4-7/8 in. bar length.

**S 4353** (Brushed chrome)



Qty: 1

Solid brass, inside mount, swivel design.

**S 4793** (Satin chrome – 9/16 in.)



Qty: 1

Exterior plate with name tag, 200° glass lens, interior housing has twin bell tones, no batteries needed.

**U 10814**

## Door Viewers & Knockers



Qty: 1  
Solid brass housing, fits 1-3/8 in. to 2-1/8 in. thick doors.



Qty: 1  
Solid brass housing, 160°, fits 1-3/8 in. to 2 in. thick doors.

- U 9895** (Brass)
- U 9983** (Brass – U.L. Listed)
- S 4365** (Satin chrome finish – U.L. Listed)
- U 10347** (Satin nickel finish – U.L. Listed)
- U 10311** (Classic bronze finish – U.L. Listed)



Qty: 1  
Solid brass end caps, diecast housing, glass lens, 130°, fits 1-3/4 in. to 2-3/8 in. thick doors.

- U 9896** (Brass)
- U 10314** (Satin nickel finish)



Qty: 1  
High-impact plastic, allows arms length viewing, fits 1-3/8 in. to 2 in. thick doors.

- U 9916** (Bronze)
- U 9917** (White)
- U 9918** (Dark gray)

	Finish	View	U.L. Listed	Bore Diameter
<b>U 9892</b>	Brass	180°	No	1/2 in.
<b>U 9893</b>	Brass	180°	No	9/16 in.
<b>U 9891</b>	Brass	200°	Yes	9/16 in.
<b>S 4185</b>	Chrome	180°	No	9/16 in.
<b>U 9881</b>	Satin chrome	200°	Yes	9/16 in.
<b>U 10312</b>	Satin nickel	180°	No	9/16 in.
<b>U 10348</b>	Satin nickel	200°	Yes	9/16 in.
<b>U 10313</b>	Classic bronze	180°	Yes	9/16 in.
<b>U 11455</b>	Matte black	200°	Yes	9/16 in.



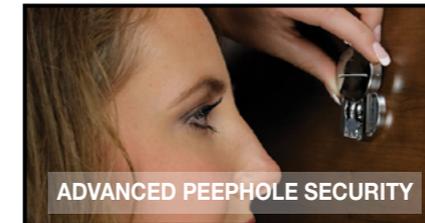
Qty: 2  
ABS material, snap-on design, 2 sizes to fit 3/8 in. and 5/8 in. door viewers, safeguards against peephole tampering, blocks view for anyone spying with a reverse peephole viewer.

- S 5084** (White)



Qty: 1, with fasteners.  
ABS material, slide-up cover, safeguards against peephole tampering, blocks view for anyone spying with a reverse peephole viewer.

- S 5086** (Satin gray)
- S 5088** (Brown)



ADVANCED PEEPHOLE SECURITY



Qty: 1  
Diecast, 5-13/16 in. hole spacing.

- U 10366** (Satin nickel)



Qty: 1, with fasteners.  
Diecast housing, solid brass viewer, 160°, fits 1-3/8 in. to 1-3/4 in. thick doors.

- S 4235** (Antique brass)
- U 10327** (Satin nickel)



Qty: 1 set, with fasteners.

Diecast latch, 2-3/8 in. backset, 2 in. O.D. glass knobs with steel base, steel rosettes.

- E 2317** (Brass finish)      **E 2751** (Classic bronze)
- E 2750** (Satin nickel)    **E 2797** (Matte black)



Qty: 1 set.

Glass knobs with steel base, 2 in. O.D., 17/64 in. square spindle.

- E 2279** (Brass finish)      **E 2536** (Satin nickel)
- E 2328** (Chrome)          **E 2537** (Classic bronze)



Qty: 1 set.

Steel, 2-1/4 in. O.D., 17/64 in. square spindle.

- E 2280** (Brass finish)      **E 2498** (Satin nickel)
- E 2319** (White)            **E 2499** (Classic bronze)



Qty: 1 set.

2-3/16 in. O.D., 17/64 in. square spindle.

- E 2297** (Solid brass)



Qty: 1 set.

Steel knobs and spindle, silencer bushing.

- E 2642** (Brass finish)      **E 2643** (Satin nickel)



Qty: 1 set.

Steel levers and spindle, silencer bushing.

- E 2660** (Brass finish)      **E 2666** (Classic bronze)
- E 2663** (Satin nickel)



Qty: 1 set, 2 keys, with fasteners.

Steel trim plates and case, glass knobs with steel base, keyed, interior use only.

- E 2311** (Brass finish)      **E 2497** (Classic bronze)
- E 2496** (Satin nickel)



Qty: 1 set, 2 keys, with fasteners.

Steel trim plates, case and knobs, keyed, interior use only.

- E 2293** (Brass finish)      **E 2495** (Classic bronze)
- E 2330** (Satin nickel)      **E 2798** (Matte black)



Qty: 1 set, 2 keys, with fasteners.

Cast steel lock and keeper, steel knobs and rosettes, keyed, surface mount.

- E 2437** (Brass finish)



Qty: 1 set, 2 keys, with fasteners.

Cast steel lock and keeper, steel knobs and rosettes, keyed, surface mount.

- E 2478** (Brass finish)



Qty: 1 set, 2 keys, with fasteners.

Steel, keyed, spindle hole accepts 1/4 in. to 5/16 in. square spindles.

- E 2294** (2-3/8 in. backset)

## Rosettes & Escutcheon Plates, Cylinder Locks & Re-Key A Lock



Qty: 2, with fasteners.

Steel, screw mounted.

**E 2282** (2-1/4 in. – Brass finish) **E 2542** (2-1/2 in. – Satin nickel)

**E 2541** (2-1/2 in. – Brass finish) **E 2543** (2-1/2 in. – Classic bronze)

**E 2439** (2-1/4 in. – Chrome)



Qty: 2, with fasteners.

Screw mounted, 3 in. O.D.

**E 2296** (Solid brass)



Steel, threaded, 17/64 in. square.

**E 2459** (Qty. 2 per card) **E 2434** (Qty. 10 per box)



Qty: 2, with fasteners.

Steel, 1-3/16 in. and 5-7/8 in. hole spacing.

**E 2295** (Brass finish)

**E 2718** (Satin nickel)



Qty: 1 set, with fasteners.

Diecast latch, 2-3/8 in. backset, steel strike with adjustable tab.

**E 2281** (Brass finish)

**E 2772** (Classic bronze)

**E 2440** (Chrome)



Qty: 1 set, 2 keys, with fasteners.

Kwikset keyway, heavy duty diecast, 5-pin tumbler.

**U 9965** (Brass finish)

**U 10527** (Brass finish – Qty. 2 pack, keyed alike)

**U 11295** (Satin nickel finish) **U 11296** (Classic bronze finish)



Qty: 1 set, 2 keys, with fasteners.

Schlage keyway, heavy duty diecast, 5-pin tumbler.

**U 9966** (Brass face)

**U 11458** (Satin nickel finish)



Qty: 1 lock, 2 keys.

Solid brass, 5 pin tumbler, 2 cams, Segal keyway.

**E 2562**



Qty: 1 set, 3 keys.

Includes all necessary tools, 3 keys and enough pins to re-key up to six locks, color coded pins for easy re-keying.

**E 2400** (Kwikset)



Qty: 1 set, 3 keys.

Includes all necessary tools, 3 keys and enough pins to re-key up to six locks, color coded pins for easy re-keying.

**E 2402** (Schlage "C")

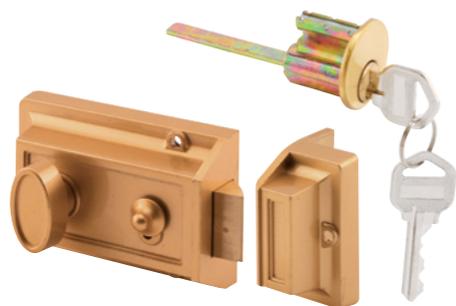


Qty: 1 set, 3 keys.

Includes all necessary tools, 3 keys and enough pins to re-key up to six locks, color coded pins for easy re-keying.

**E 2404** (Weiser)

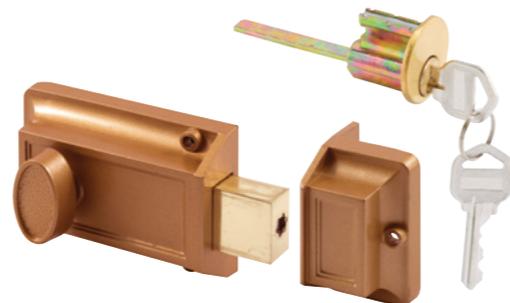
## Night Locks & Latches & Jimmy-resistant Deadlocks



Qty: 1 set, 2 keys, with fasteners.

Diecast, spring latch for automatic locking, single cylinder, 5-pin tumbler, Kwikset® keyway, for 1-3/8 in. to 2-3/8 in. thick doors.

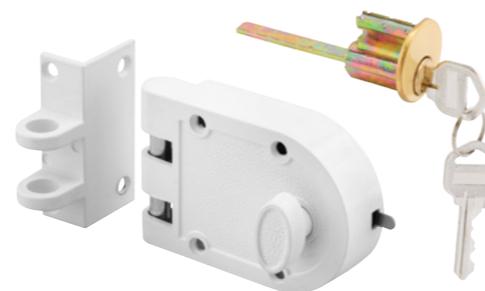
**U 9967** (Brass painted)    **U 10516** (Satin nickel)



Qty: 1 set, 2 keys, with fasteners.

Diecast, 5-pin tumbler, Kwikset® keyway.

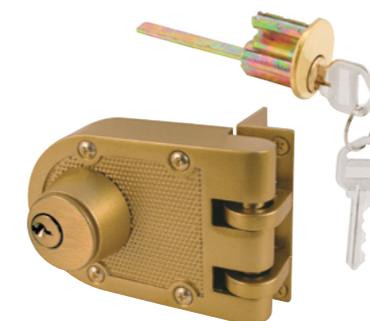
**U 9956** (Brass painted)



Qty: 1 set, 2 keys, with fasteners.

Diecast, single cylinder, 5-pin tumbler, Kwikset® keyway, for 1-3/8 in. to 2-3/8 in. thick doors.

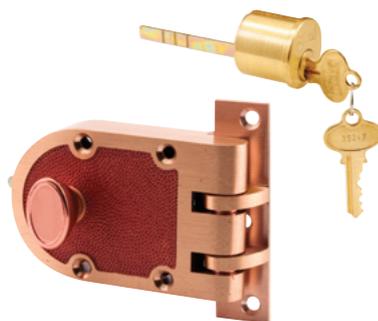
**U 9970** (Brass painted)    **U 10817** (Satin nickel)  
**U 9971** (White)



Qty: 1 set, 2 keys, with fasteners.

Diecast, double cylinder, 5-pin tumbler, Kwikset® keyway, for 1-3/8 in. to 2-3/8 in. thick doors.

**U 9972** (Brass painted)



Qty: 1 set, 2 keys, with fasteners.

Cast bronze housing and keepers, single cylinder, 5-pin tumbler, Segal® keyway, for 1-3/8 in. to 2-3/8 in. thick doors.

**U 10530**



Qty: 1 set, 2 keys, with fasteners.

Cast bronze housing and keepers, solid brass 5-pin tumbler cylinder, Segal® keyway.

	Strike Supplied	Finish	Standard Packaging	Keying	Box Qty.
<b>SE 15361</b>	Angle & Flat	Brushed Brass	Clamshell	KD	3
<b>SE 15323</b>	Flat	Brushed Chrome	Clamshell	KD	3
<b>SE 15316</b>	Angle	Brushed Brass	Box	KD	6
<b>SE 15326</b>	Flat	Brushed Brass	Box	KD	6
<b>SE 15366</b>	Angle & Flat	Brushed Brass	Box	KD	6
<b>SE 15726</b>	Flat	Brushed Brass	Box	KA	6
<b>SE 15318</b>	Angle	Brushed Chrome	Box	KD	6
<b>SE 15328</b>	Flat	Brushed Chrome	Box	KD	6
<b>SE 15728</b>	Flat	Brushed Chrome	Box	KA	6
<b>SE 15332</b>	Angle & Flat	Brushed Chrome	Box	KA	6



Flat strike



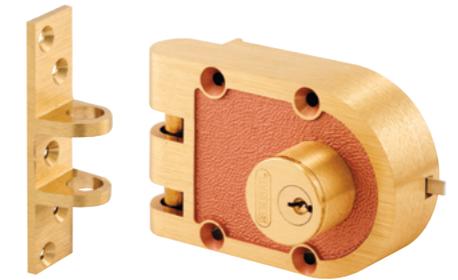
Angle strike



Qty: 1 set, 2 keys, with fasteners.

Cast bronze housing and keepers, double cylinder, solid brass 5-pin tumbler cylinder, Segal® keyway.

	Strike Supplied	Finish	Standard Packaging	Keying	Box Qty.
<b>SE 19361</b>	Angle & Flat	Brushed Brass	Clamshell	KD	3
<b>SE 19316</b>	Angle	Brushed Brass	Box	KD	6
<b>SE 19326</b>	Flat	Brushed Brass	Box	KD	6
<b>SE 19323</b>	Flat	Brushed Chrome	Box	KD	6



Flat strike



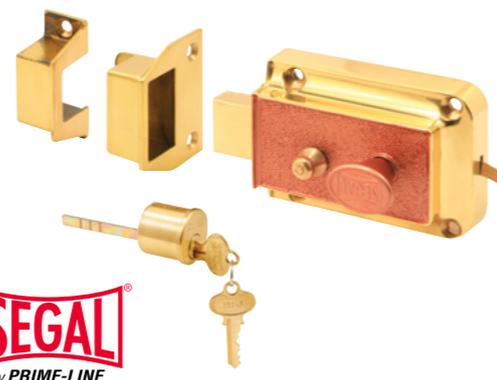
Angle strike



Qty: 1 set, 2 keys, with fasteners.

Cast bronze housing and keepers, solid brass 5-pin tumbler cylinder, Segal® keyway.

**SE 13312** (Brushed brass finish)



Qty: 1 set, 2 keys, with fasteners.

Cast bronze housing and keepers, solid brass 5-pin tumbler cylinder, Segal® keyway.

**SE 13222** (Brushed brass finish)



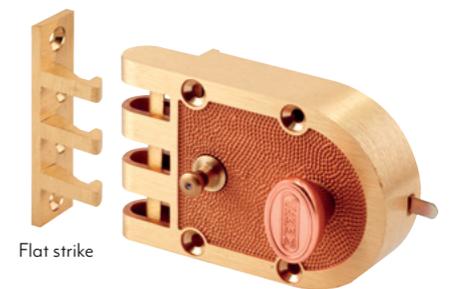
Qty: 1 set, 2 keys, with fasteners.

Cast bronze housing and keepers, automatic relocking bolt, solid brass 5-pin tumbler cylinder, Segal® keyway.

	Strike Supplied	Finish	Standard Packaging	Keying	Box Qty.
<b>SE 14326</b>	Angle & Flat	Brushed Brass	Clamshell	KD	3
<b>SE 14328</b>	Angle & Flat	Brushed Chrome	Clamshell	KD	3
<b>SE 14327</b>	Flat	Brushed Brass	Box	KD	6
<b>SE 14329</b>	Flat	Brushed Chrome	Box	KD	6



Angle strike



Flat strike





Qty: 1 set, 2 keys, with fasteners.  
Solid brass knobs and rosettes, high pressure diecast zamak case, keyed, fits 1-3/8 in. to 1-3/4 in. thick doors, 2-1/2 in. backset.  
**SE 27580** (Polished brass – right handed)  
**SE 27570** (Polished brass – left handed)



Qty: 1 set, 2 keys, with fasteners.  
Solid brass knobs and rosettes, high pressure diecast zamak case, keyed, fits 1-3/8 in. to 1-3/4 in. thick doors, 2-1/2 in. backset.  
**SE 26000** (Polished brass – left handed)  
**SE 26010** (Polished brass – right handed)  
**SE 27590** (Satin nickel – left handed)  
**SE 27600** (Satin nickel – right handed)



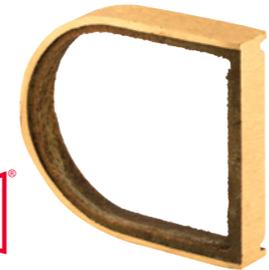
Qty: 1 lock, 2 keys, with fasteners.  
Fits doors 1-1/4 in. to 3 in. thick, 5-pin tumbler.



Qty: 50  
Solid brass, original Segal® keyway.  
**SE 70001**



Qty: 1  
Cast bronze.  
**SE 15308** (Brushed brass – 1/4 in.)  
**SE 15309** (Brushed brass – 1/2 in.)



**SE 70002**

**SE 70003**

**SE 70007**

**SE 66007**

**SE 75007**

	Materials	Finish	Standard Packaging	Keying	Box Qty.
<b>SE 70002</b>	Brass	Brushed Brass	Clamshell	KD	6
<b>SE 70003</b>	Brass	Brushed Chrome	Clamshell	KD	6
<b>SE 70007</b>	Brass	Brushed Brass	Box	KD	6
<b>SE 66007</b>	Zinc	Brass Plated	Box	KD	6
<b>SE 75007</b>	Zinc	Brass Plated	Box	KA	6



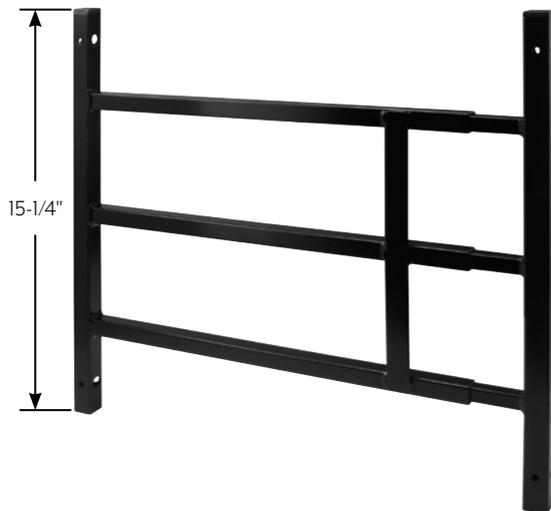
Qty: 1 set, with fasteners.  
Cast bronze base, riveted steel motorcycle chain.  
**SE 25300** (Cast bronze)



## Window Guards



- Child-safe 3-7/8 in. bar spacing, inside mount
- Telescoping tubular bar design adjusts to fit a wide variety of window openings
- Approved by the New York City Department of Health and Mental Hygiene, HDWG #04-09-2010
- Quick release feature for fast window guard removal in emergencies with distinct 3-step removal procedure to discourage toddlers (egress version only)
- Tamper resistant screws to keep window guard firmly attached
- Easy to install
- U.S. Patent: No. 8443550



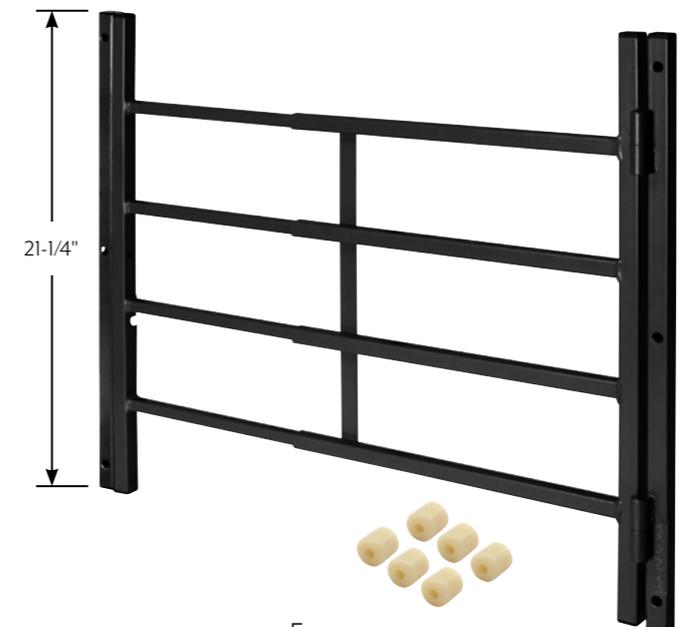
15-1/4 in. Fixed 3 Bar Window Grill

Finish	Width Expandable		
	15-3/4 in. to 22 in.	23-1/2 in. to 38 in.	32-1/2 in. to 54 in.
Black	<a href="#">S 4747</a>	<a href="#">S 4751</a>	<a href="#">S 4755</a>
White	<a href="#">S 4748</a>	<a href="#">S 4752</a>	<a href="#">S 4756</a>
Bronze	—	<a href="#">S 4754</a>	<a href="#">S 4758</a>



21-1/4 in. Fixed 4 Bar Window Grill

Finish	Width Expandable		
	15-3/4 in. to 22 in.	23-1/2 in. to 38 in.	32-1/2 in. to 54 in.
Black	<a href="#">S 4759</a>	<a href="#">S 4763</a>	<a href="#">S 4767</a>
White	<a href="#">S 4760</a>	<a href="#">S 4764</a>	<a href="#">S 4768</a>
Bronze	<a href="#">S 4762</a>	<a href="#">S 4766</a>	<a href="#">S 4770</a>



Egress

21-1/4 in. Hinged 4 Bar Window Grill

Finish	Width Expandable		
	14 in. to 22 in.	22 in. to 38 in.	31 in. to 54 in.
Black	<a href="#">S 4771</a>	<a href="#">S 4775</a>	<a href="#">S 4779</a>
White	<a href="#">S 4772</a>	<a href="#">S 4776</a>	<a href="#">S 4780</a>
Bronze	—	<a href="#">S 4778</a>	<a href="#">S 4782</a>

## Hasps, Lockout Devices, Showcase Locks



Installs in brick structures, fits 1/2 in. thick plywood, re-usable, plywood greater than 48 in. should be reinforced by attaching 2 in. x 4 in.'s along edge for increased strength.

**S 5100** (Zinc plated – 20 per clamshell)  
**MP5099** (Black – 50 per bag)



Qty: 1 set, 2 keys, with fasteners.  
Steel hasp, diecast lock housing, keyed.  
**U 9951** (Zinc)



Qty: 1 set, 2 keys.  
Steel, fits up to 5/16 in. thick glass, adjustable, keyed.  
**U 9949** (Chrome)



Qty: 1 set, with fasteners.  
Cast aluminum, 15/16 in. hole spacing.  
**U 10881** (Brass finish)    **U 10883** (Classic bronze)  
**U 10882** (Satin nickel)



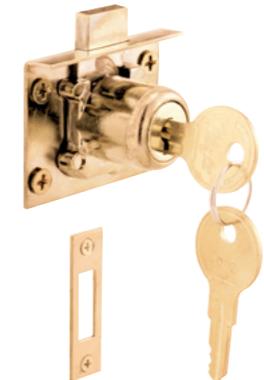
Qty: 1 lock, 2 keys.  
Diecast, keyed, deters tampering.  
**U 4180** (Gray)



Qty: 1 lock, 2 keys.  
Diecast, keyed, deters tampering.  
**S 4181** (Gray)



Qty: 1 set, 2 keys, with fasteners.  
Self latching, keyed, Chicago keyway, fits up to a 7/8 in. thick panel.  
**U 10665** (Brass)



Qty: 1 set, 2 keys, with fasteners.  
Keyed, Chicago keyway, fits up to a 7/8 in. thick panel.  
**U 10666** (Brass finish)



Qty: 1 set, 2 keys, with fasteners.  
Keyed, Chicago keyway, fits up to a 1 in. thick panel.  
**U 10667** (Brass finish)



Qty: 1 lock, 2 keys.  
Diecast, keyed, 5/16 in. projection, 1-7/16 in. hole spacing, Yale keyway.  
**U 9947** (Brass finish)



Qty: 1 lock, 2 keys, with fasteners.  
Steel, offset key cylinder, 1/4 in. projection, 1-7/16 in. hole spacing.  
**S 4048** (Brass finish)



Qty: 1 lock, 2 keys, with fasteners.  
Steel, offset key cylinder, 5/16 in. projection.  
**S 4049** (Brass finish)



Qty: 1 lock, 2 keys, with fasteners.  
Steel, offset key cylinder, 1/2 in. projection.  
**S 4086** (Brass finish)



Qty: 1 set, 2 keys.  
Diecast cylinder with dust cover, spring steel locking clip, steel cam, fits Auth Electric.  
**S 4302**



Counter clockwise rotation



Qty: 1 set, 2 keys.  
Diecast housing, stainless steel face, 3 steel cams.

	Finish	Max. Door Thickness	Cylinder Length	Keyed Alike
<b>U 9942</b>	Brass	5/16 in.	5/8 in.	No
<b>U 9944</b>	Brass	9/16 in.	7/8 in.	No
<b>U 9944KA</b>	Brass	9/16 in.	7/8 in.	Yes
<b>U 9946</b>	Brass	13/16 in.	1-1/8 in.	No
<b>U 9946KA</b>	Brass	13/16 in.	1-1/8 in.	Yes
<b>U 9953</b>	Brass	1 in.	1-3/8 in.	No
<b>U 9953KA</b>	Brass	1 in.	1-3/8 in.	Yes
<b>U 9941</b>	Chrome	5/16 in.	5/8 in.	No
<b>U 9941KA</b>	Chrome	5/16 in.	5/8 in.	Yes
<b>U 9943</b>	Chrome	9/16 in.	7/8 in.	No
<b>U 9943KA</b>	Chrome	9/16 in.	7/8 in.	Yes
<b>U 9945</b>	Chrome	13/16 in.	1-1/8 in.	No
<b>U 9945KA</b>	Chrome	13/16 in.	1-1/8 in.	Yes
<b>U 9950</b>	Chrome	1 in.	1-3/8 in.	No
<b>U 9950KA</b>	Chrome	1 in.	1-3/8 in.	Yes
<b>U 11088</b>	Classic Bronze	13/16 in.	1-1/8 in.	No
<b>U 11089</b>	Classic Bronze	1 in.	1-3/8 in.	No

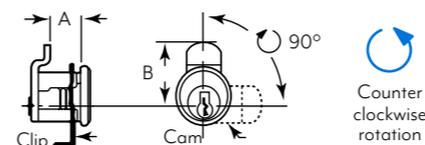
	Finish	Max. Door Thickness	Cylinder Length
<b>CCEP 9946KA</b>	Brass	13/16 in.	1-1/8 in.
<b>CCEP 9941KA</b>	Chrome	5/16 in.	5/8 in.
<b>CCEP 9943KA</b>	Chrome	9/16 in.	7/8 in.
<b>CCEP 9945KA</b>	Chrome	13/16 in.	1-1/8 in.
<b>CCEP 9950KA</b>	Chrome	1 in.	1-3/8 in.

Qty: 1 set, 2 keys.  
Diecast cylinder, 5-pin cylinder, 5 steel cams.  
**S 4140** (Nickel)    **U 9940** (Brass)

Replaces	Dimensions		Turn to Open	Locked Cam Position
	A	B		
American Device	7/16 in.	1-7/16 in.	90° CCW	Left
Florence	11/32 in.	15/16 in.	90° CCW	Up
Miami-Carey	5/16 in.	13/16 in.	90° CCW	Up
Bommer	7/8 in.	1-7/32 in.	90° CCW	Down
Auth	9/32 in.	1-3/32 in.	90° CCW	Left



Qty: 1 set, 2 keys per bag, 20 bags per box.  
Diecast housing, stainless steel face, 3 steel cams, keyed alike.



Clockwise rotation

Qty: 1 set, 2 keys.  
Diecast cylinder, 5-pin tumbler, spring steel locking clip, steel cam.  
**S 4130** (Nickel)

Replaces	Locked Cam Position	Keyway
Florence	Up	Hudson

## Mailbox Locks



Qty: 1 set, 2 keys.

Diecast cylinder, 5-pin tumbler, spring steel locking clip, steel cam.

**S 4136** (Nickel – carded)    **S 4136C** (Nickel – clam)

Replaces	Locked Cam Position	Keyway
Dura-Steel	Down	Hudson



Counter clockwise rotation

Qty: 1 set, 2 keys.

Diecast cylinder, 5-pin tumbler, spring steel locking clip, steel cam.

**S 4125** (Nickel – carded)    **S 4125C** (Nickel – clam)

Replaces	Locked Cam Position	Keyway
Bommer	Left	Hudson



Counter clockwise rotation

Qty: 1 set, 2 keys.

Diecast cylinder, 5-pin tumbler, spring steel locking clip, steel cam.

**S 4127** (Nickel)

Replaces	Locked Cam Position	Keyway
Bommer	Down	Hudson



Counter clockwise rotation

Qty: 1 set, 2 keys.

Diecast cylinder, 5-pin tumbler, spring steel locking clip, steel cam.

**S 4128** (Nickel)

Replaces	Locked Cam Position	Keyway
Auth Electric	Left	Hudson



Counter clockwise rotation

Qty: 1 set, 2 keys.

Diecast cylinder, 5-pin tumbler, spring steel locking clip, steel cam.

**S 4129** (Nickel – carded)    **S 4129C** (Nickel – clam)

Replaces	Locked Cam Position	Keyway
American Device	Left	Hudson



Counter clockwise rotation

Qty: 1 set, 2 keys.

Diecast cylinder, 5-pin tumbler, spring steel locking clip, steel cam.

**S 4133** (Nickel)

Replaces	Locked Cam Position	Keyway
Cutler	Left	Hudson



Counter clockwise rotation

Qty: 1 set, 2 keys.

Diecast cylinder, 5-pin tumbler, spring steel locking clip, steel cam.

**S 4137** (Nickel – carded)    **S 4137C** (Nickel – clam)

Replaces	Locked Cam Position	Keyway
Jensen General	Left	Hudson



Counter clockwise rotation

Qty: 1 set, 2 keys.

Diecast cylinder, 5-pin tumbler, spring steel locking clip, steel cam.

**S 4138** (Nickel)

Replaces	Locked Cam Position	Keyway
Bommer Hook	Left	Hudson



Clockwise rotation

Qty: 1 set, 2 keys.

Diecast cylinder, 5-pin tumbler, spring steel locking clip, steel cam.

**S 4315** (Nickel)

Replaces	Locked Cam Position	Keyway
Florence	Up	National



Clockwise rotation



Counter clockwise rotation

Qty: 1 set, 2 keys.

Diecast cylinder, 5-pin tumbler, spring steel locking clip, fits Auth Florence.

**S 4710** (Nickel – with dust cover – clockwise rotation – carded)

**S 4710C** (Nickel – with dust cover – clockwise rotation – clam)

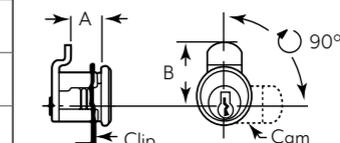
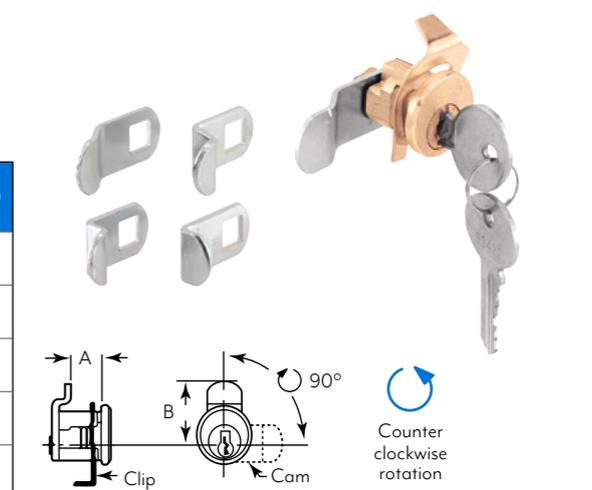
**S 4711** (Nickel – counter clockwise rotation)

Qty: 1 set, 2 keys.

Diecast cylinder, 5-pin tumbler, spring steel locking clip, 5 steel cams.

**S 4634** (Brass finish – carded)    **S 4634C** (Brass finish – clam)

Replaces	Dimensions		Turn to Open	Locked Cam Position
	A	B		
American Device	7/16 in.	1-7/16 in.	90° CCW	Left
Florence	11/32 in.	15/16 in.	90° CCW	Up
Miami-Carey	5/16 in.	13/16 in.	90° CCW	Up
Bommer	7/8 in.	1-7/32 in.	90° CCW	Down
Auth	9/32 in.	1-3/32 in.	90° CCW	Left



Counter clockwise rotation

## Mailbox Locks, Key Tags & Mail Slot Sleeves



Clockwise rotation

Qty: 1 set, 2 keys.

Diecast cylinder, 3 steel cam and lock nut.

**S 4648** (Brass finish – carded)    **S 4139** (Chrome – carded)  
**S 4648C** (Brass finish – clam)    **S 4139C** (Chrome – clam)



Counter clockwise rotation

Qty: 1 set, 2 keys.

Diecast cylinder with dust cover, 5-pin tumbler, spring steel locking clip, 5 steel cams.

**S 4533** (Nickel – with dust cover – carded)  
**S 4533C** (Nickel – with dust cover – clam)



Counter clockwise rotation

Qty: 1 set, 2 keys.

Diecast cylinder with dust cover, 5-pin tumbler, spring steel locking clip, 5 steel cams.

**S 4573** (Nickel – carded)    **S 4573C** (Nickel – clam)



Counter clockwise rotation

Qty: 1 set, 2 keys.

Diecast cylinder with dust cover, 5-pin tumbler, spring steel locking clip, 9 steel cams.

**S 4531** (National keyway – carded)  
**S 4531C** (National keyway – clam)



Clockwise rotation

Qty: 1 set, 2 keys.

Diecast cylinder with dust cover, 5-pin tumbler, spring steel locking clip, 5 steel cams.

**S 4526** (National keyway – carded)



Qty: 20

Plastic, 1-1/4 in. square.

**EP 4269**



Qty: 1, with fasteners.

Stainless steel, made to fit all 1 1/2 in. in-door mail slots.

**S 4784**



Qty: 1, with fasteners.

Stainless steel, made to fit all 7-1/2 in. in-door mail slots.

**S 4817**

## Keyed Item Information

	Product Status	Keyed Alike	Keyed Different	Key Blank	Description
<b>CCEP 9941KA</b>	Active	Yes		Yale Y-II	20 pieces per box
<b>CCEP 9942KA</b>	Disco	Yes		Yale Y-II	20 pieces per box
<b>CCEP 9943KA</b>	Active	Yes		Yale Y-II	20 pieces per box
<b>CCEP 9944KA</b>	Disco	Yes		Yale Y-II	20 pieces per box
<b>CCEP 9945KA</b>	Active	Yes		Yale Y-II	20 pieces per box
<b>CCEP 9946KA</b>	Active	Yes		Yale Y-II	20 pieces per box
<b>CCEP 9950KA</b>	Active	Yes		Yale Y-II	20 pieces per box
<b>CCEP 9953KA</b>	Obsolete	Yes		Yale Y-II	20 pieces per box
<b>E 2293</b>	Active			Contact Prime-Line	Skeleton Key
<b>E 2294</b>	Active			Contact Prime-Line	Skeleton Key
<b>E 2311</b>	Active			Contact Prime-Line	Skeleton Key
<b>E 2330</b>	Active			Contact Prime-Line	Skeleton Key
<b>E 2437</b>	Active			Contact Prime-Line	Skeleton Key
<b>E 2478</b>	Active			Contact Prime-Line	Skeleton Key
<b>E 2494</b>	Pre-Prod			Contact Prime-Line	Skeleton Key
<b>E 2495</b>	Active			Contact Prime-Line	Skeleton Key
<b>E 2496</b>	Active			Contact Prime-Line	Skeleton Key
<b>E 2497</b>	Active			Contact Prime-Line	Skeleton Key
<b>S 4048</b>	Active			N/A	—
<b>S 4049</b>	Active			N/A	—
<b>S 4051</b>	Disco		Yes	ILCO 1180S (XL7)	XL-1 Keyway
<b>S 4053</b>	Obsolete		Yes	ILCO 1180S (XL7)	XL-1 Keyway
<b>S 4054</b>	Obsolete		Yes	ILCO 1180S (XL7)	XL-1 Keyway
<b>S 4055</b>	Obsolete		Yes	ILCO 1180S (XL7)	XL-Keyway
<b>S 4086</b>	Active			N/A	—
<b>S 4125</b>	Active		Yes	ILCO 1003M	Hudson Keyway
<b>S 4126</b>	Obsolete		Yes	ILCO 1003M	Hudson Keyway
<b>S 4127</b>	Active		Yes	ILCO 1003M	Hudson Keyway
<b>S 4128</b>	Active		Yes	ILCO 1003M	Hudson Keyway
<b>S 4129</b>	Active		Yes	ILCO 1003M	Hudson Keyway

	Product Status	Keyed Alike	Keyed Different	Key Blank	Description
<b>S 4130</b>	Active		Yes	ILCO 1003M	Hudson Keyway
<b>S 4131</b>	Obsolete		Yes	ILCO 1003M	Hudson Keyway
<b>S 4132</b>	Disco		Yes	ILCO 1003M	Hudson Keyway
<b>S 4133</b>	Active		Yes	ILCO 1003M	Hudson Keyway
<b>S 4134</b>	Disco		Yes	ILCO 1003M	Hudson Keyway
<b>S 4136</b>	Active		Yes	ILCO 1003M	Hudson Keyway
<b>S 4137</b>	Active		Yes	ILCO 1003M	Hudson Keyway
<b>S 4138</b>	Active		Yes	ILCO 1003M	Hudson Keyway
<b>S 4139</b>	Active		Yes	ILCO 1098 (98X)	Hudson Keyway
<b>S 4140</b>	Active		Yes	ILCO 1003M	Hudson Keyway
<b>S 4297</b>	Obsolete		Yes	ILCO 1003M	Hudson Keyway
<b>S 4180</b>	Active			ILCO 1041GA	Chicago Keyway
<b>S 4299</b>	Disco		Yes	ILCO 1003M	Hudson Keyway
<b>S 4300</b>	Obsolete			ILCO 1003M	Hudson Keyway
<b>S 4301</b>	Disco			ILCO 1003M	Hudson Keyway
<b>S 4302</b>	Active			ILCO 1003M	Hudson Keyway
<b>S 4303</b>	Disco			ILCO 1003M	Hudson Keyway
<b>S 4310</b>	Obsolete		Yes	ILCO 51064A (NA14)	National Keyway
<b>S 4311</b>	Obsolete		Yes	ILCO 51064A (NA14)	National Keyway
<b>S 4312</b>	Obsolete		Yes	ILCO 51064A (NA14)	National Keyway
<b>S 4313</b>	Disco		Yes	ILCO 1180S (XL7)	XL-1 Keyway
<b>S 4314</b>	Obsolete		Yes	ILCO 1180S (XL7)	XL-1 Keyway
<b>S 4315</b>	Active		Yes	ILCO 51064A (NA14)	National Keyway
<b>S 4316</b>	Disco		Yes	ILCO 51064A (NA14)	National Keyway
<b>S 4317</b>	Obsolete		Yes	ILCO 1180S (XL7)	XL-1 Keyway
<b>S 4318</b>	Obsolete		Yes	ILCO 51064A (NA14)	National Keyway
<b>S 4319</b>	Obsolete		Yes	ILCO 51064A (NA14)	National Keyway
<b>S 4322</b>	Obsolete		Yes	ILCO 51064A (NA14)	National Keyway
<b>S 4390</b>	Obsolete		Yes	ILCO 1098M	B1 Keyway
<b>S 4499</b>	Obsolete		Yes	ILCO 1003M	Hudson Keyway

## Keyed Item Information

	Product Status	Keyed Alike	Keyed Different	Key Blank	Description
<b>S 4530</b>	Pre-Prod		Yes	ILCO I180S (XL7)	XL-1 Keyway
<b>S 4531</b>	Active		Yes	ILCO 51064A (NA14)	National Keyway
<b>S 4532</b>	Disco		Yes	ILCO 1003M	Hudson Keyway
<b>S 4533</b>	Active		Yes	ILCO 1003M	Hudson Keyway
<b>S 4634</b>	Active		Yes	ILCO 1003M	Hudson Keyway
<b>S 4648</b>	Active		Yes	ILCO 1003M	Hudson Keyway
<b>U 9838</b>	Active		Yes	ILCO 1098M	BI Keyway
<b>U 9839</b>	Active		Yes	ILCO 1098M	BI Keyway
<b>U 9861</b>	Active		Yes	Yale Y-13	Yale Keyway
<b>U 9863</b>	Active		Yes	Yale Y-11	Yale Keyway
<b>U 9870</b>	Active	Yes		Contact Prime-Line	—
<b>U 9871</b>	Obsolete	Yes		Contact Prime-Line	—
<b>U 9872</b>	Active		Yes	ILCO 1098M	BI Keyway
<b>U 9882</b>	Active		Yes	ILCO 1098M	BI Keyway
<b>U 9883</b>	Obsolete		Yes	ILCO 1098M	BI Keyway
<b>U 9884</b>	Active		Yes	ILCO 1098M	BI Keyway
<b>U 9885</b>	Active		Yes	ILCO 1098M	BI Keyway
<b>U 9912</b>	Active		Yes	ILCO 1098M	BI Keyway
<b>U 9914</b>	Active		Yes	ILCO 1098M	BI Keyway
<b>U 9919</b>	Active		Yes	ILCO 1098M	BI Keyway
<b>U 9927</b>	Active		Yes	ILCO 1098M	BI Keyway
<b>U 9928</b>	Active		Yes	ILCO 1098M	BI Keyway
<b>U 9932</b>	Disco		Yes	ILCO 1041T	Chicago Keyway
<b>U 9933</b>	Active		Yes	ILCO 1041T	Chicago Keyway
<b>U 9940</b>	Active		Yes	ILCO 1003M	Hudson Keyway
<b>U 9941</b>	Active		Yes	Yale Y-11	Yale Keyway
<b>U 9942</b>	Active		Yes	Yale Y-11	Yale Keyway
<b>U 9943</b>	Active		Yes	Yale Y-11	Yale Keyway
<b>U 9944</b>	Active		Yes	Yale Y-11	Yale Keyway
<b>U 9945</b>	Active		Yes	Yale Y-11	Yale Keyway

	Product Status	Keyed Alike	Keyed Different	Key Blank	Description
<b>U 9946</b>	Active		Yes	Yale Y-11	Yale Keyway
<b>U 9947</b>	Active		Yes	Yale Y-13	Yale Keyway
<b>U 9949</b>	Active		Yes	N/A	—
<b>U 9950</b>	Active		Yes	Yale Y-11	Yale Keyway
<b>U 9951</b>	Active		Yes	ILCO 1098M	BI Keyway
<b>U 9952</b>	Obsolete		Yes	ILCO 1098M	BI Keyway
<b>U 9953</b>	Active		Yes	Yale Y-11	Yale Keyway
<b>U 9956</b>	Active			KW-1	Kwikset Keyway
<b>U 9965</b>	Active			KW-1	Kwikset Keyway
<b>U 9966</b>	Active			ILCO SC-1	Schlage Keyway
<b>U 9967</b>	Active			KW-1	Kwikset Keyway
<b>U 9968</b>	Disco			KW-1	Kwikset Keyway
<b>U 9969</b>	Obsolete			KW-1	Kwikset Keyway
<b>U 9970</b>	Active			KW-1	Kwikset Keyway
<b>U 9971</b>	Active			KW-1	Kwikset Keyway
<b>U 9972</b>	Active			KW-1	Kwikset Keyway
<b>U 9973</b>	Obsolete			KW-1	Kwikset Keyway
<b>U 9974</b>	Obsolete			KW-1	Kwikset Keyway
<b>U 9997</b>	Active		Yes	ILCO 1098M	BI Keyway
<b>U 10530</b>	Active			SE1	Segal Keyway
<b>U 10531</b>	Obsolete			SE1	Segal Keyway
<b>U 10665</b>	Active		Yes	ILCO 1041T	Chicago Keyway
<b>U 10666</b>	Active		Yes	ILCO 1041T	Chicago Keyway
<b>U 10667</b>	Active		Yes	ILCO 1041T	Chicago Keyway